

SPINNER IS WHITE WITH A RED STRIP

DARK GREEN

BROWN

FUSELAGE AND STAB ARE MADE FROM 1/16" SQUARE

BROWN

DARK GREEN

MOTOR STICK

RED AREAS

WHITE AREAS

DARK GREEN

DARK GREEN

BROWN

DARK GREEN

COVER ONLY TOP SIDE OF STAB

LIGHT BLUE BELOW THIS LINE

BROWN

YELLOW, BLUE, WHITE, RED, CIRCLES

STAB IS LOCATED FORWARD IN THE SLOT. ADD SPACER AFTER STAB IS INSTALLED.



WHITE DIAMOND, EMBLEM IS LIGHT BLUE WITH DARK BLUE HIGHLIGHTS

LIGHT BLUE BELOW THIS LINE

DARK GREEN

RED, WHITE, BLUE FIN FLASH

WET FORM ALL CURVED OUTLINES

IF A PLASTIC PROP IS USED, USE A 6" PROP OR A 7" PROP CUT TO 6". SHAVE TO LIGHTEN.



AD140



COVER ONLY LEFT SIDE OF THE FUSELAGE

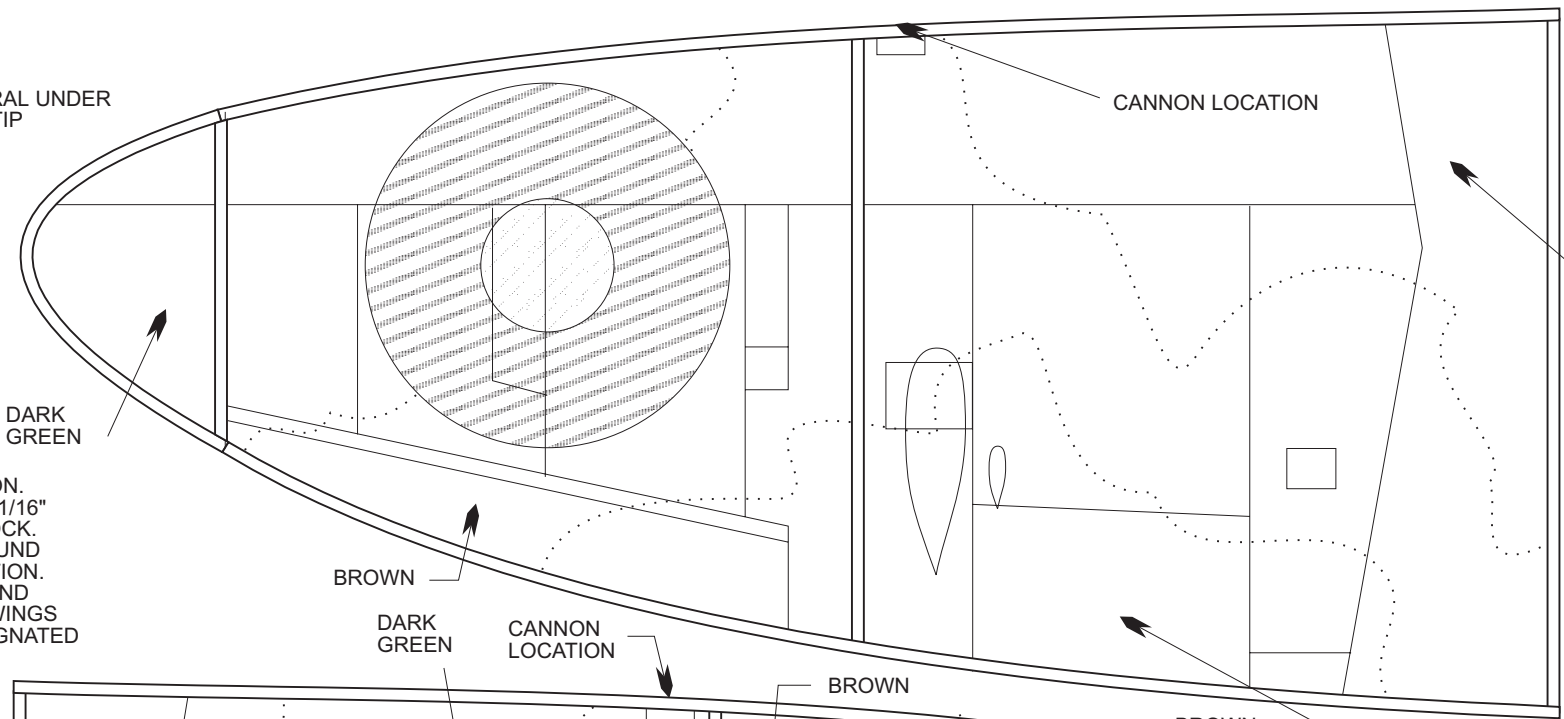
WHITE BAND

BROWN

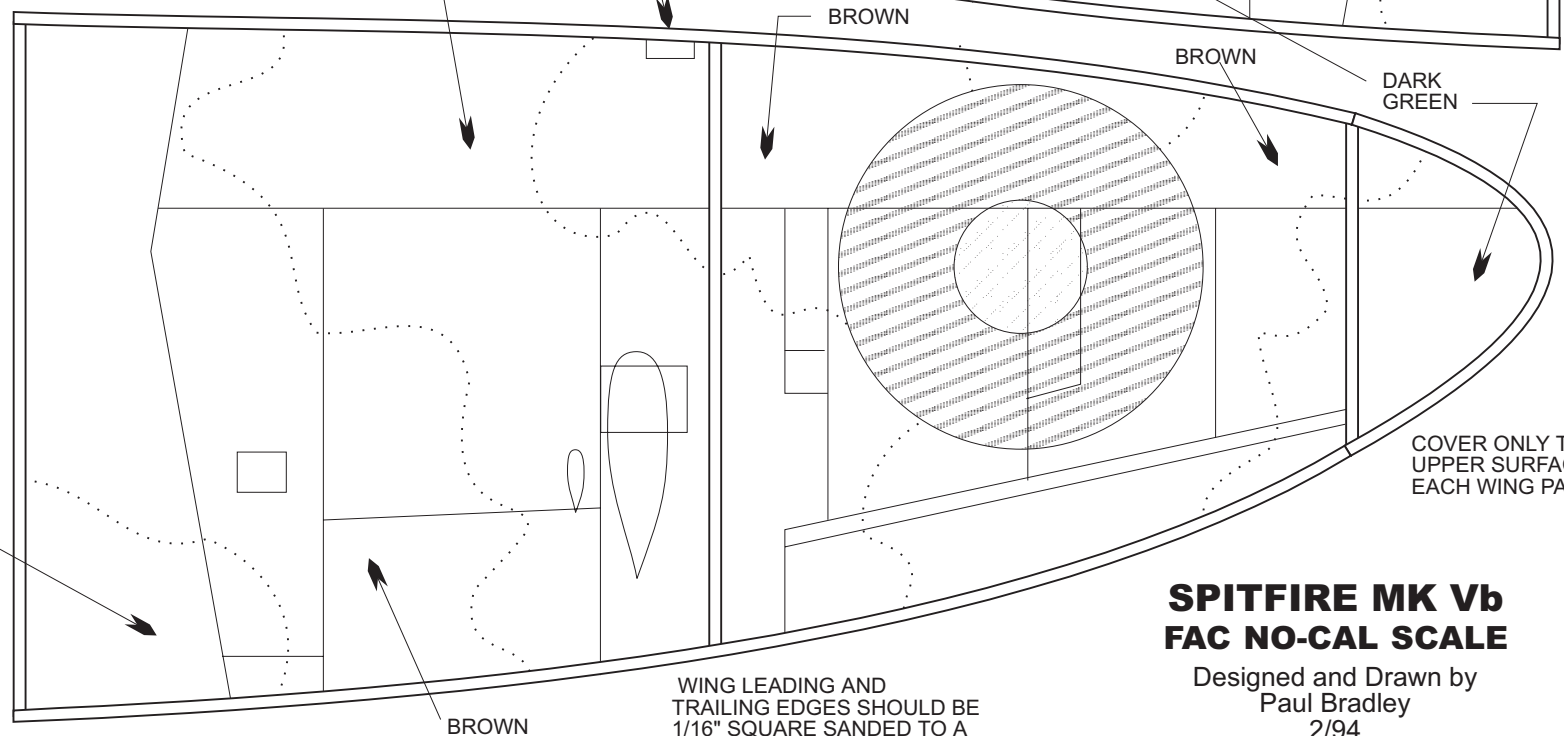
**SPITFIRE MK Vb  
FAC NO-CAL SCALE**

Designed and Drawn by  
Paul Bradley  
2/94

1 1/4" DIHEDRAL UNDER EACH WING TIP



WING CANNON. MAKE FROM 1/16" SQUARE STOCK. SAND TO ROUND CROSS SECTION. MAKE TWO AND ATTACH TO WINGS AT THE DESIGNATED LOCATIONS.

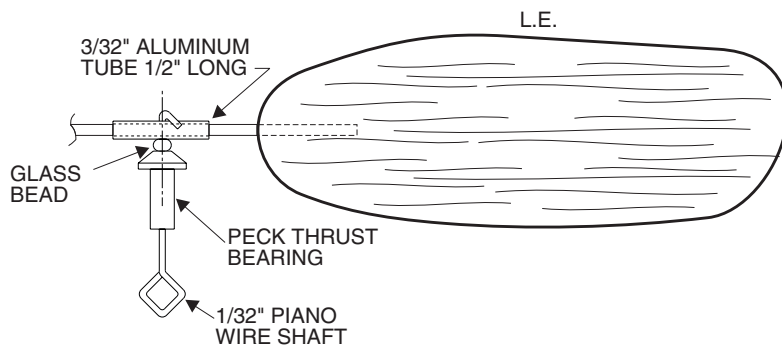


WING LEADING AND TRAILING EDGES SHOULD BE 1/16" SQUARE SANDED TO A TRIANGULAR CROSS SECTION AFTER ASSEMBLY.

### SPITFIRE MK Vb FAC NO-CAL SCALE

Designed and Drawn by  
Paul Bradley  
2/94

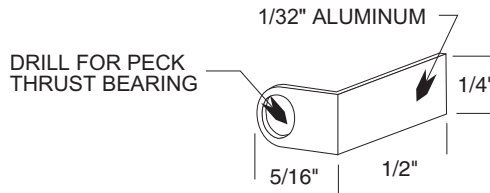
SHEET 2 OF 3 FROM INTERNET DOWNLOAD



PROP BLADES ARE 1/32" SHEET FORMED ON A 3" CYLINDER. SET EACH BLADE WITH THE LEADING EDGE 15 DEGREES LEFT FROM VERTICAL ON THE CYLINDER. MAKE 2 IDENTICAL BLADES FOR THE PROP ASSEMBLY. PROP SPARS ARE MADE FROM BAMBOO ROUNDED TO 1/16" DIAMETER. A GOOD SOURCE FOR BAMBOO IS SHISH KABOB SKEWERS. GLUE THE SPARS INTO THE ALUMINUM TUBE. USE REGULAR MODEL AIRPLANE CEMENT FOR THIS SO PITCH ADJUSTMENTS CAN BE MADE BY SOFTENING THE GLUE WITH ACETONE.

**COLORING**

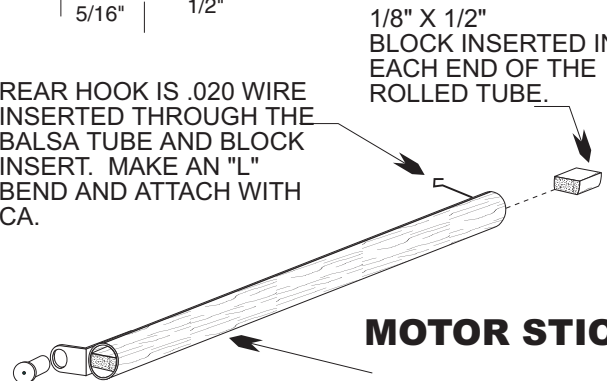
OVERALL COLOR IS DARK GREEN ON BROWN CAMOUFLAGE. FIN FLASH IS RED WHITE AND BLUE AS NOTED. WING NATIONAL INSIGNIA IS A RED INNER CIRCLE ON A DARK BLUE OUTER CIRCLE. MAJOR FUSELAGE LETTERING IS WHITE. SMALL FUSELAGE LETTERING IS BLACK. NATIONAL INSIGNIA ON FUSELAGE IS A RED INNER CIRCLE, WHITE CIRCLE, DARK BLUE CIRCLE, AND A YELLOW CIRCLE.



**PROP HANGER DETAIL**

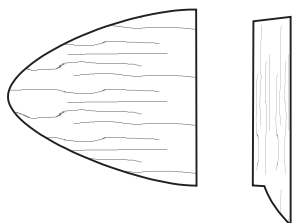
REAR HOOK IS .020 WIRE INSERTED THROUGH THE Balsa Tube AND BLOCK INSERT. MAKE AN "L" BEND AND ATTACH WITH CA.

1/8" X 1/2" BLOCK INSERTED IN EACH END OF THE ROLLED TUBE.



**MOTOR STICK**

MOTOR STICK IS A ROLLED 1/32" Balsa Tube 9 1/2" LONG FORMED ON A 1/4" DOWEL. IT IS GLUED TO THE RIGHT SIDE OF THE FUSELAGE STRUCTURE AFTER THE STRUCTURE IS COVERED.



WING RIBS ARE CUT FROM 1/16" SHEET. TRIM FROM THE TRAILING EDGE TO FIT OUTLINE.



**SPITFIRE MK Vb  
FAC NO-CAL SCALE**

Designed and Drawn by  
Paul Bradley  
2/94