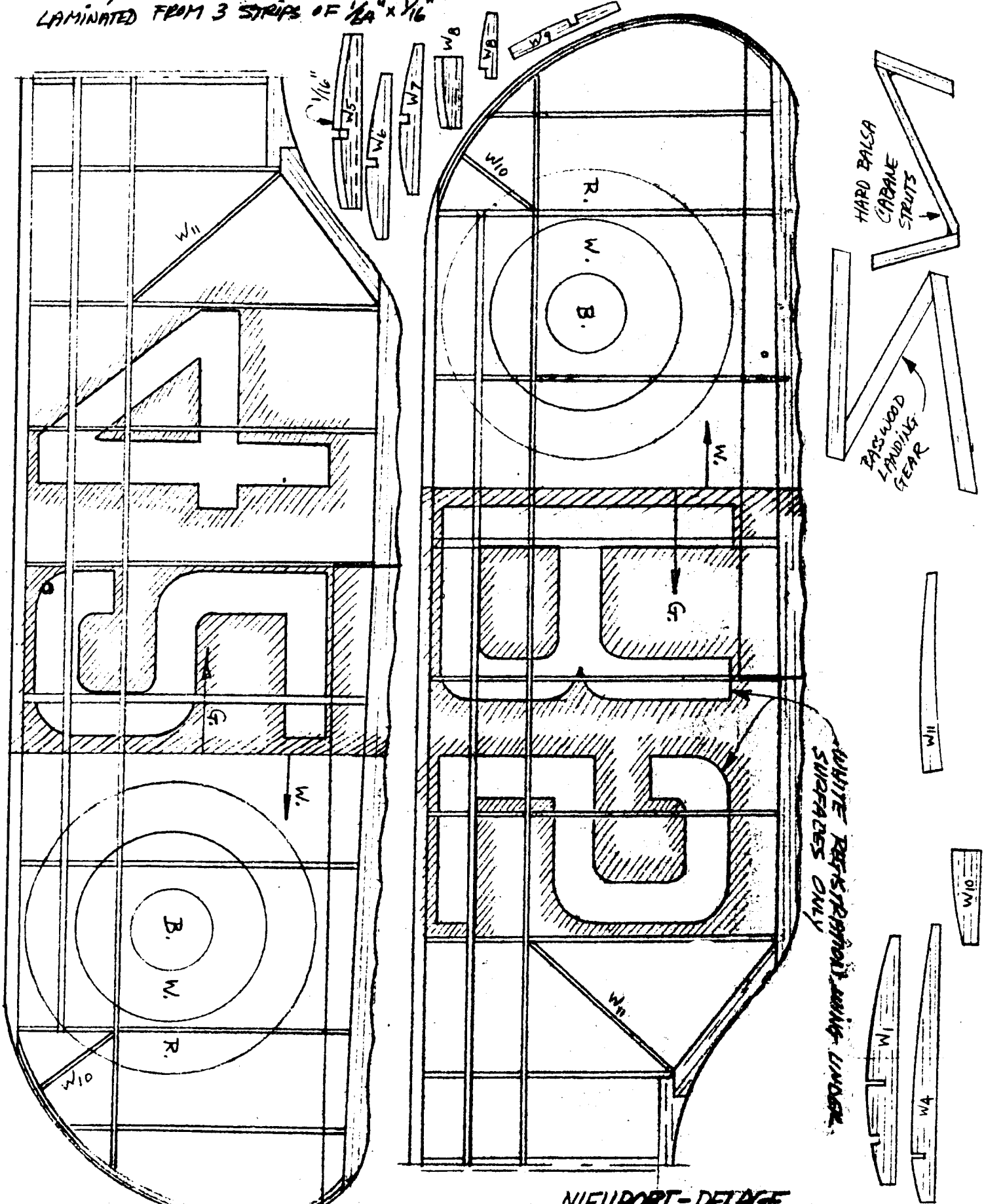


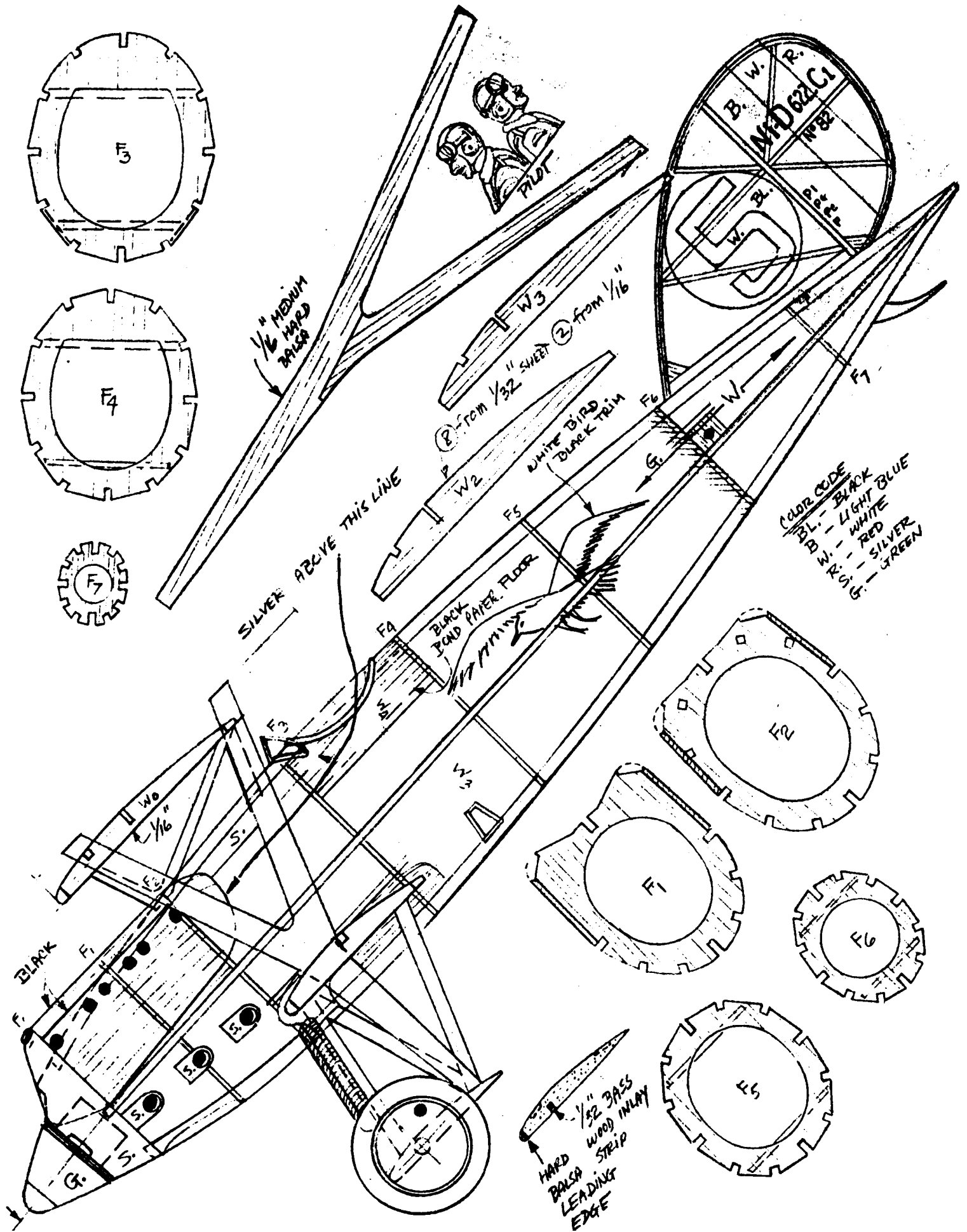
ALL FLYING SURFACE TIPS ARE
LAMINATED FROM 3 STRIPS OF 1/8" x 1/16"



NIEUPORT-DELAUGE

REF. FLYING-REVIEW
1) SEPT. 1963, P. 33.
2) AIR ENTHUSIAST QUARTERLY #3 P. 85

BY PRES BRUNING



COLOR CODE
 B.L. - BLACK
 L.B. - LIGHT BLUE
 W. - WHITE
 R. - RED
 S. - SILVER
 G. - GREEN

1/32 BASS WOOD INLAY
 HARD BALSA LEADING EDGE

