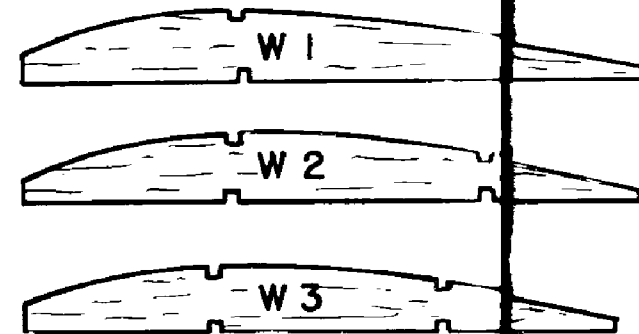
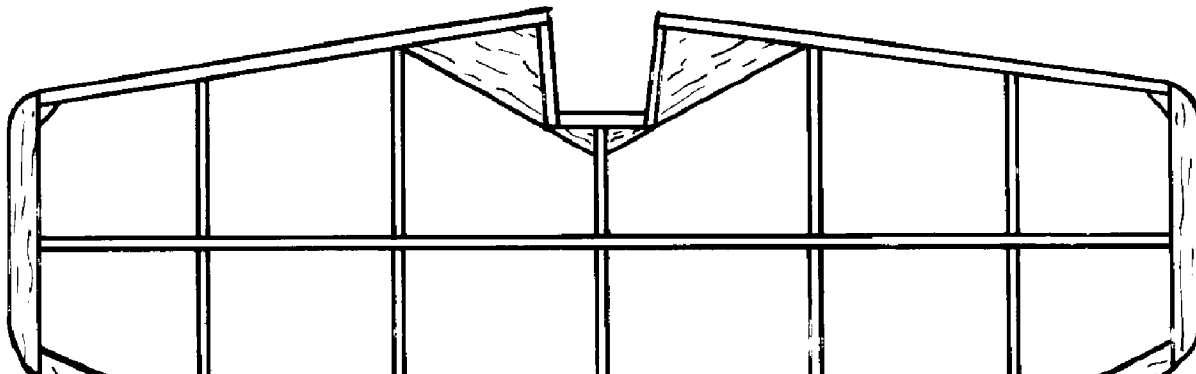
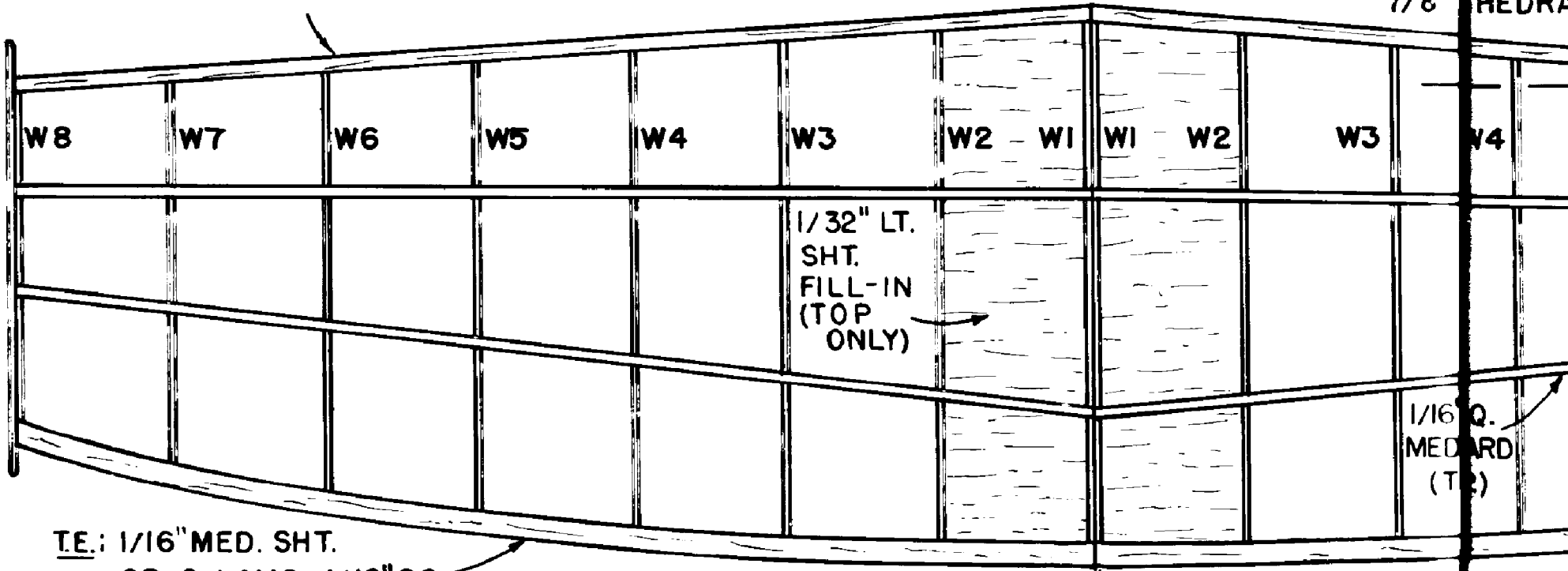
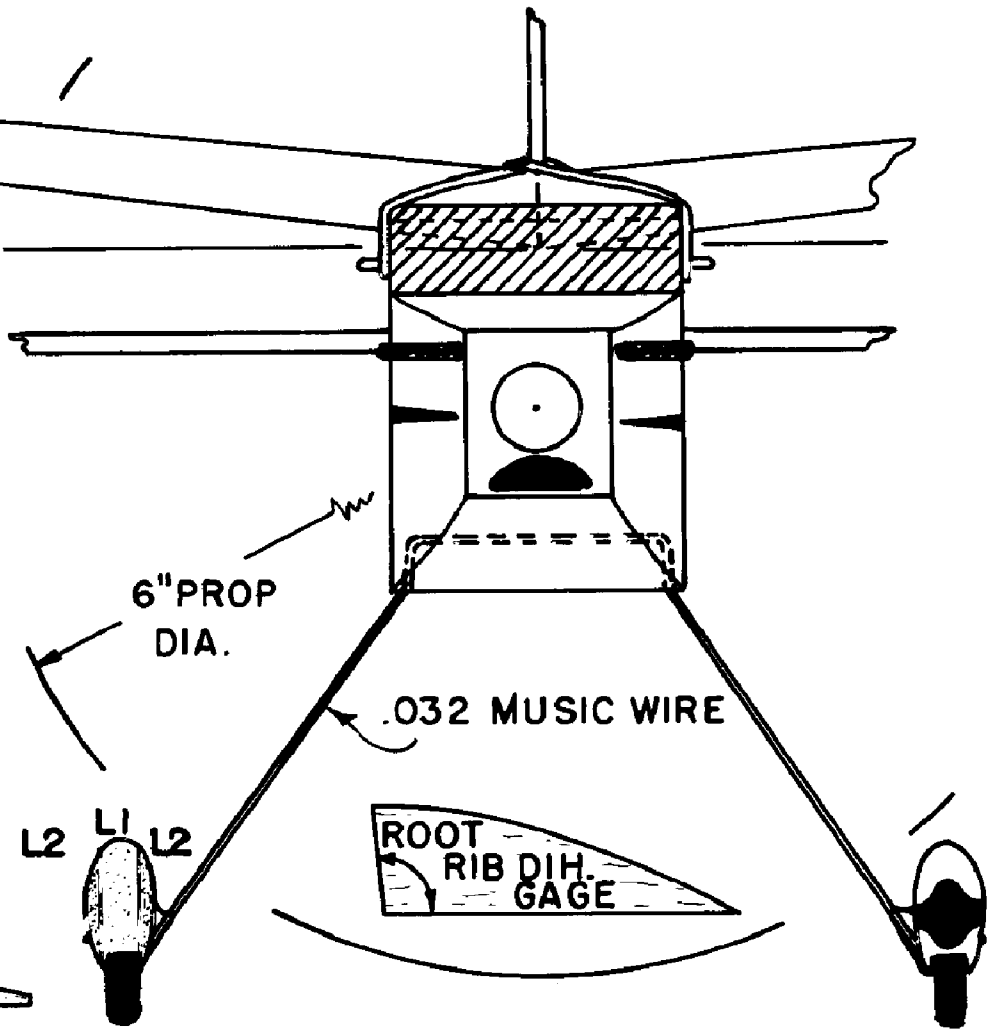
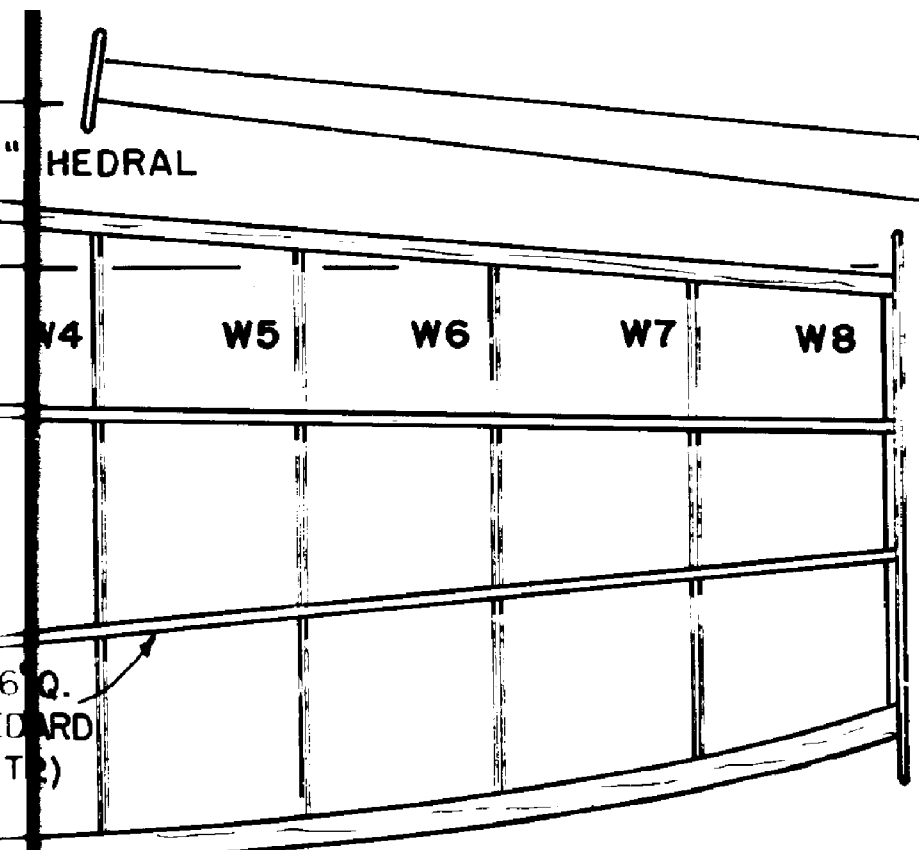


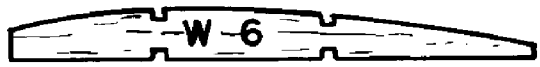
L.E.: 1/8" SQ. MED. BALSA

7/8" HEDRA

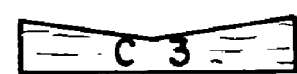


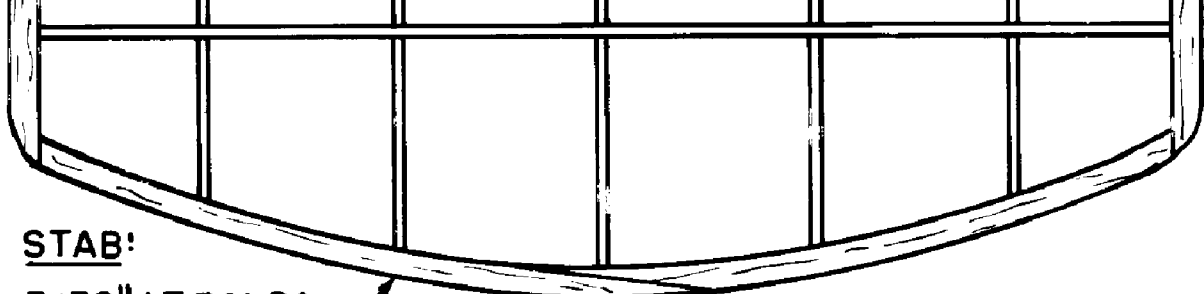


RIBS: 1/16" LT. BALSA
SHT. - 2 EA.



1/16" LT. SHT.

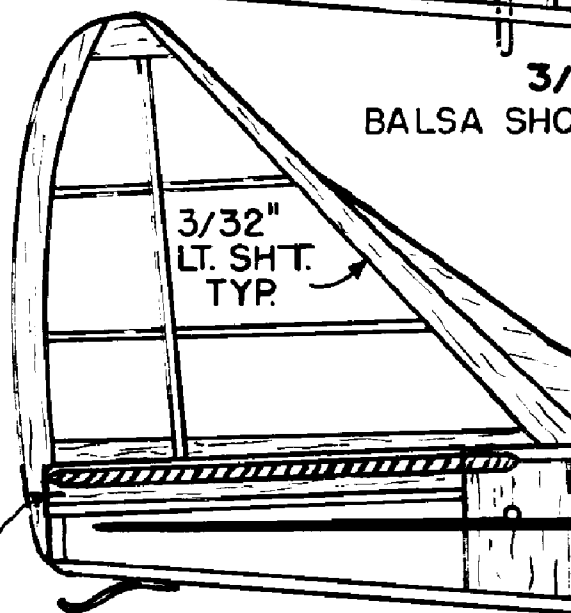
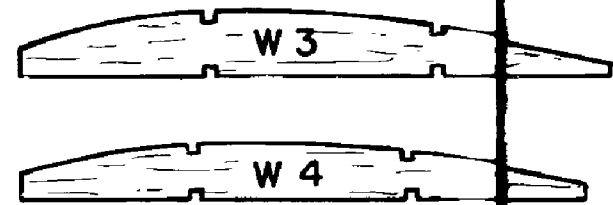




STAB:

3/32" LT. BALSA
SHT. (TYP.)

SAND TAPER TO LIGHTEN

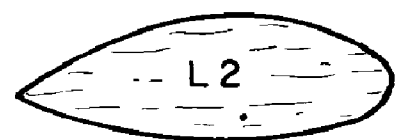


3/32"
LT. SHT.
TYP.

3/32" SQ. HARD
BALSA SHOWN - BEFORE TAPERING



3/16" SOFT SHT. -
2 REQ.



3/32" SOFT SHT.
4 REQ.

1/16" SQ. TOP
ONLY - NO
COVERING HERE
TO C I

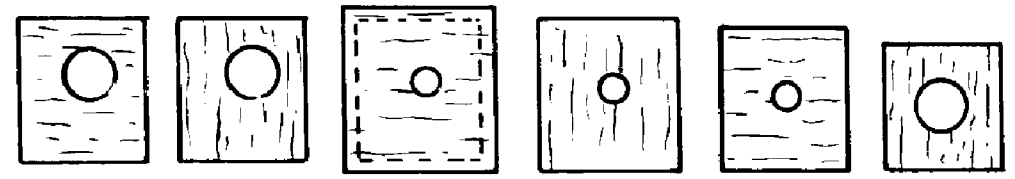
3/32" RCH D

1/16" ST. CABI

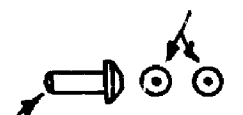
1/16" LT. SHT. FILL AFTER FINAL
STAB ANGLE DETERMINED BY
TEST FLYING

1/16" SQ. MED.
TYP.

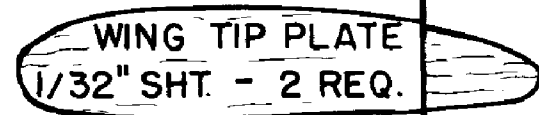
BRASS THRUST
WASHERS



1/8" HARD BALSA NOSE PLUG LAMS.

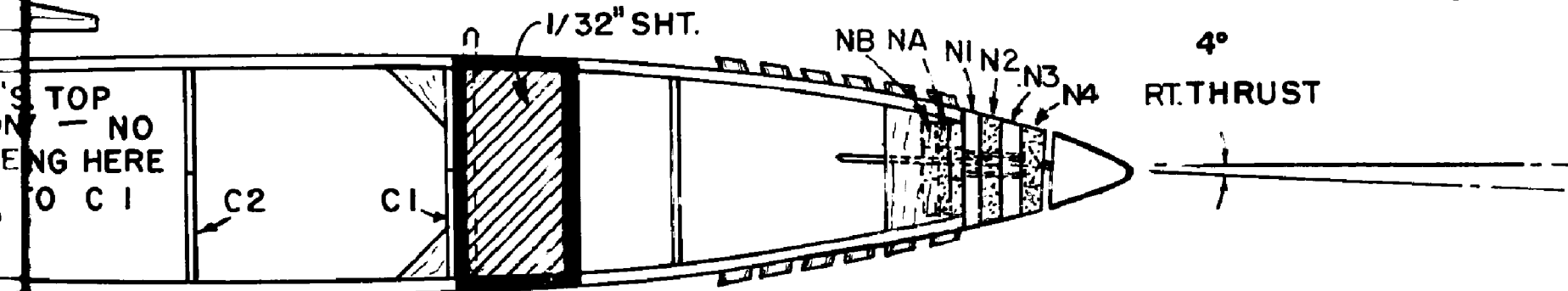
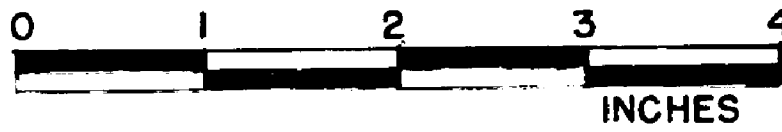


PECK
POLYMERS
1/8" NYLON
NOSE BUTTON

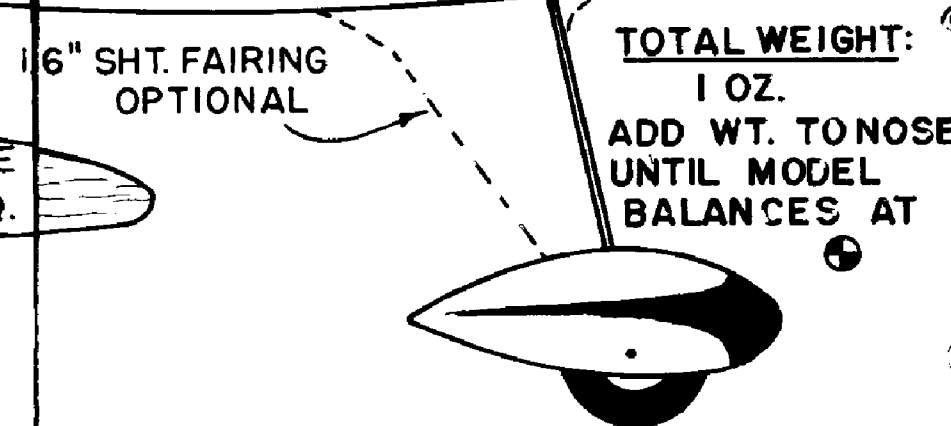
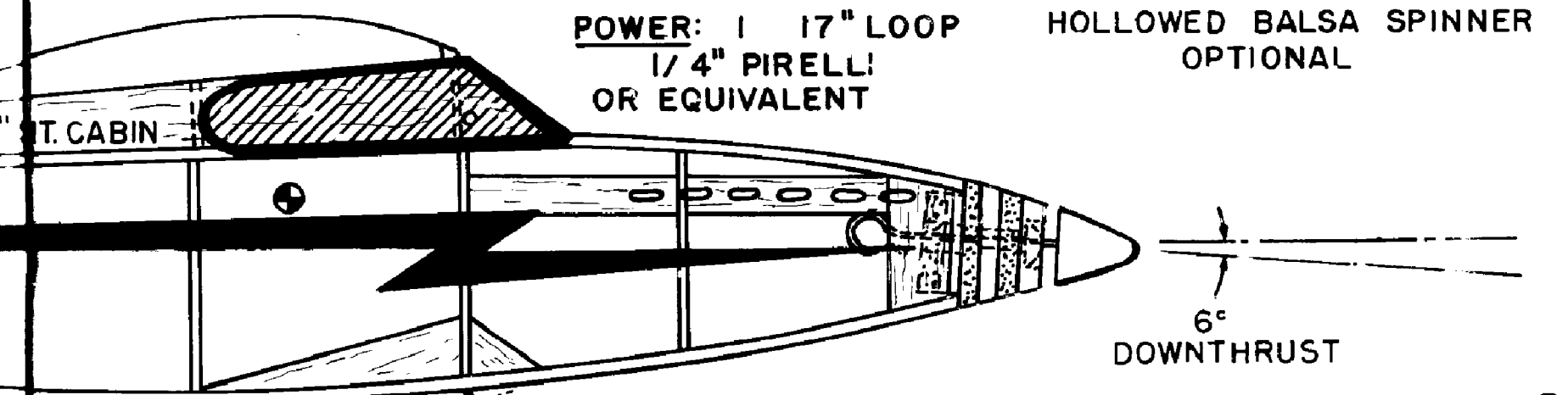


WING TIP PLATE
1/32" SHT. - 2 REQ.

1/16" SHT
OP



1/16" SQ. TOP ONLY
PROP: USE 7" NORTH PACIFIC PLASTIC CUT DOWN TO 6"



TOTAL WEIGHT:
1 OZ.
ADD WT. TO NOSE
UNTIL MODEL
BALANCES AT

“Mrs. Peach”
EMBRYO ENDURANCE WINNER - '77 NATS
BY BILL WARNER