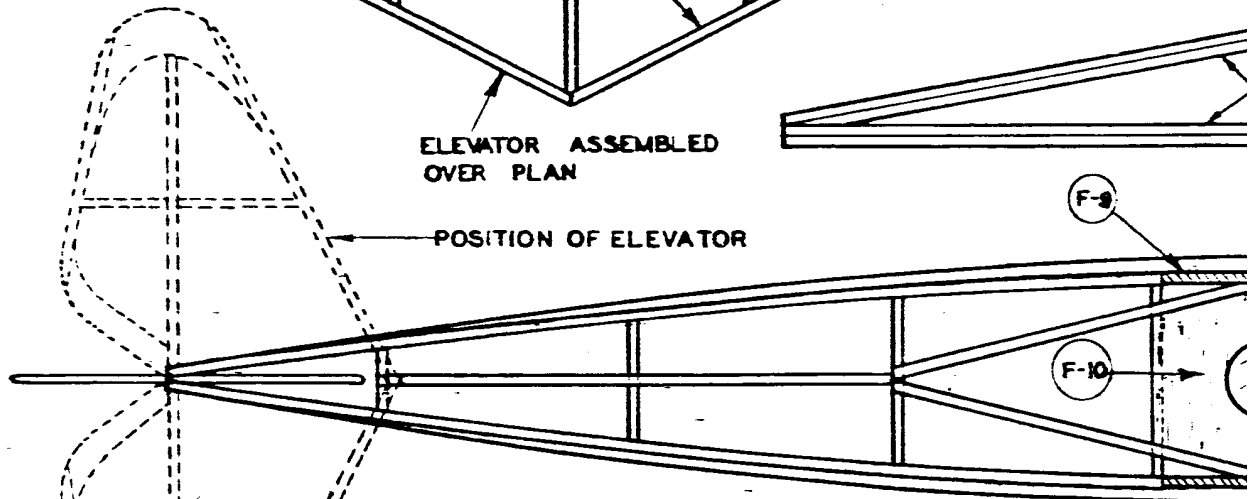


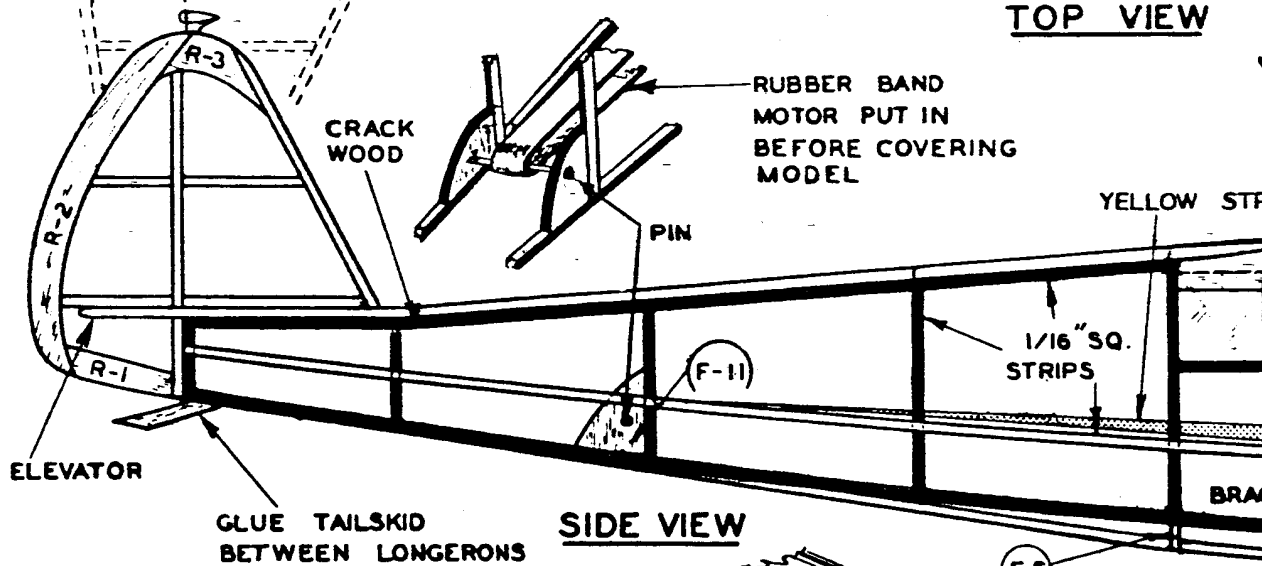
GLUE 1/16" SQ. OVER PLAN

ELEVATOR ASSEMBLED OVER PLAN

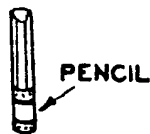
POSITION OF ELEVATOR



TOP VIEW



SIDE VIEW



CUTTING HOLE IN NOSEBLOCK

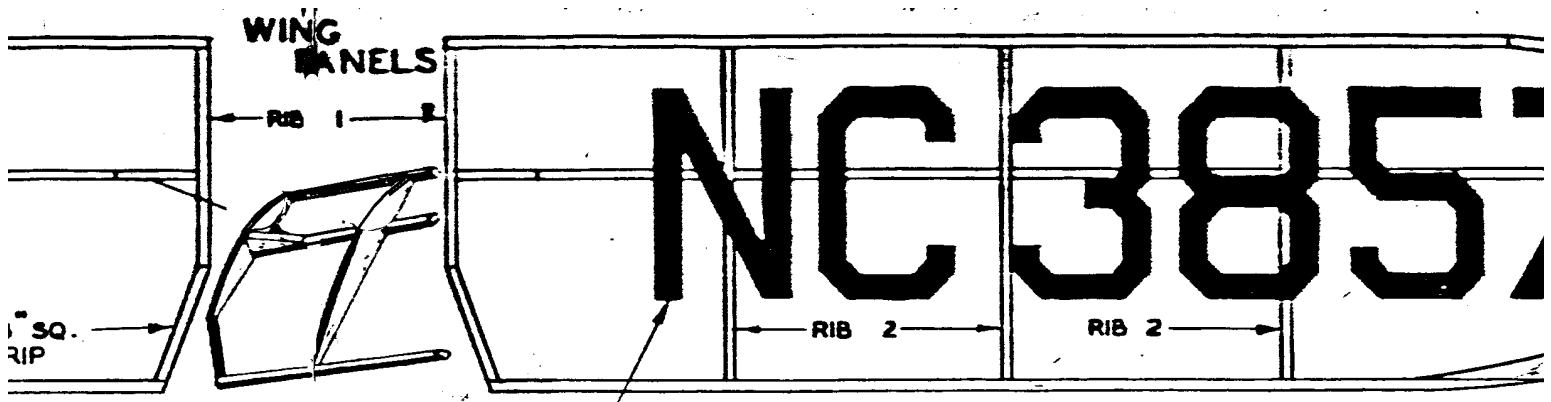
WING STRUT ATTACHMENT



(F-5)

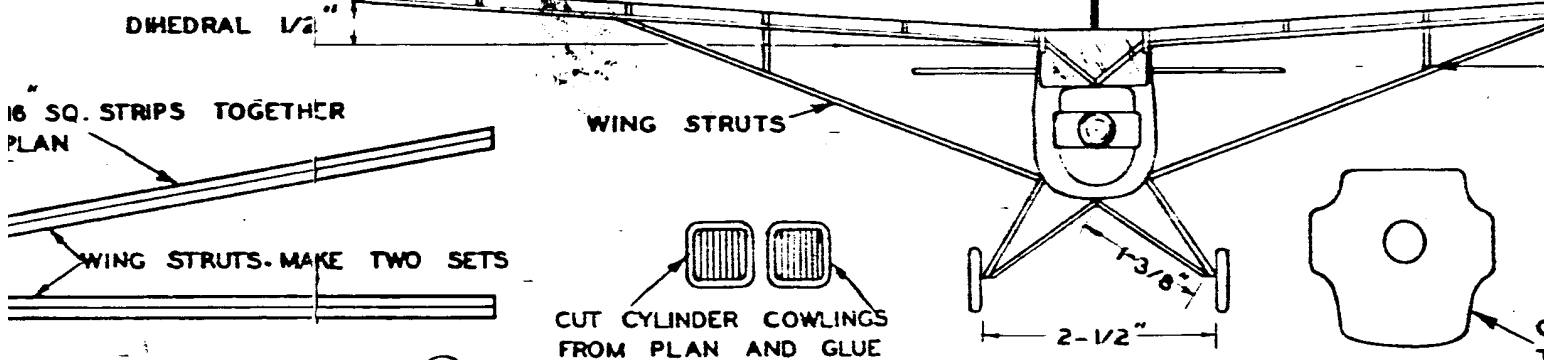
GLUE STRUT HERE

GLUE LANDING GEAR FIRMLY TO LONGERON

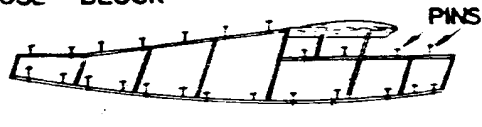
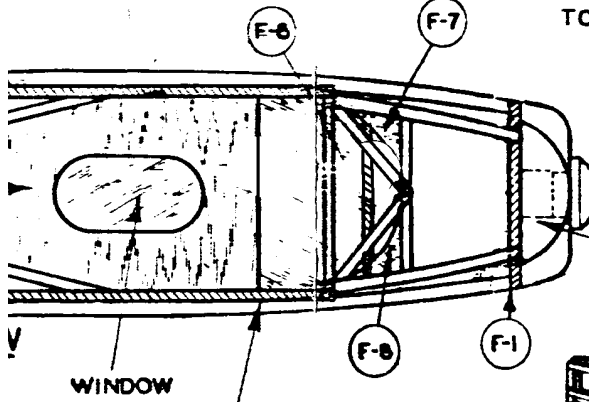


CUT OUT LICENSE NUMBERS

FRONT VIEW 1/2 SIZE

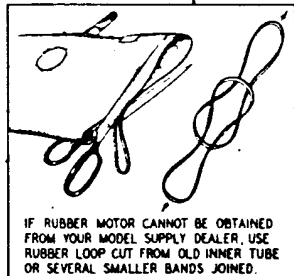
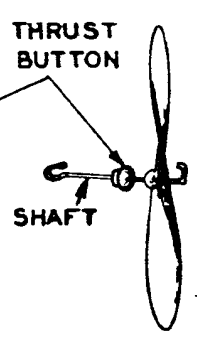
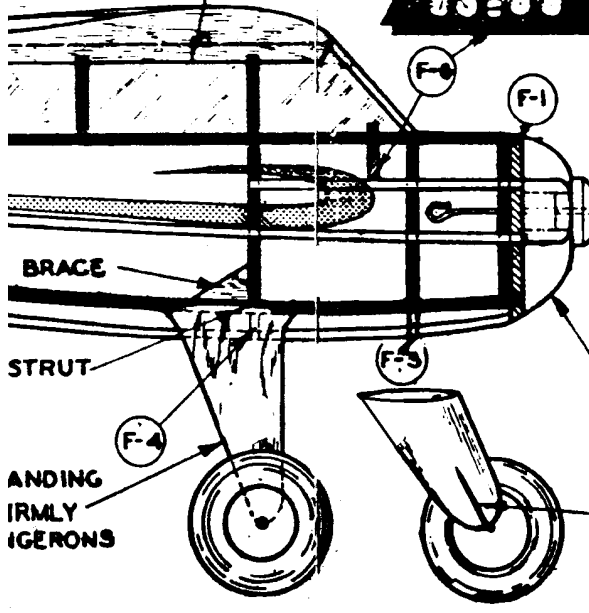
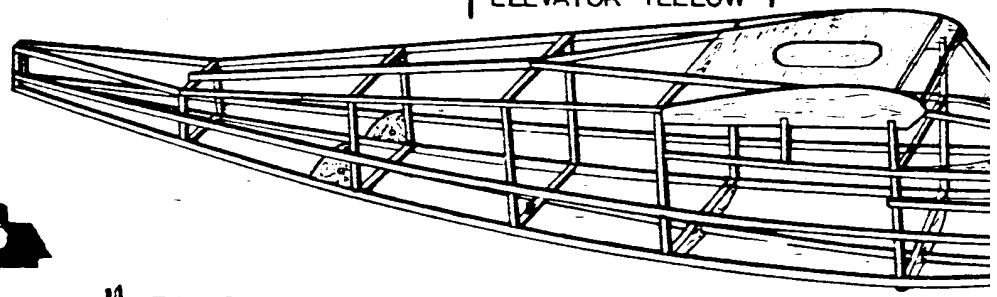
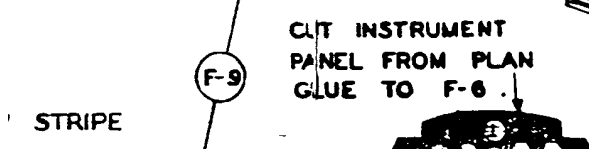


CUT CYLINDER COWLINGS FROM PLAN AND GLUE TO NOSE BLOCK



COLOR SCHEME -
 BODY- DARK BLUE
 WING, RUDDER &
 ELEVATOR -YELLOW

FOR SHO

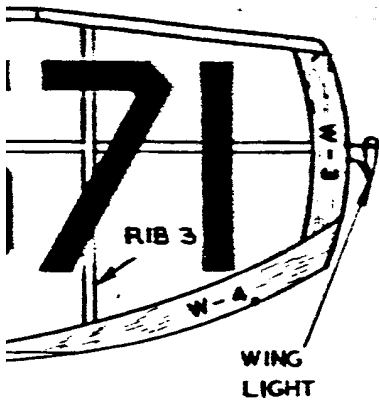


IN FL TEND SMALL NOSE

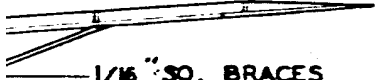
LUSCOMBE

WINGSPAN 16"

DRAWN BY *Sidney*



SIZE

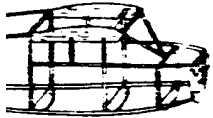


1/16" SQ. BRACES

FINISHED
NOSE BLOCK

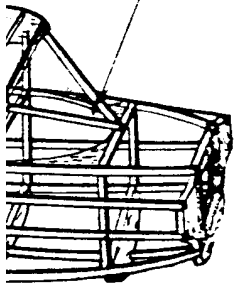


CUT NOSE BLOCK
THIS SHAPE



STEP

FORMER 6 NOT
SHOWN



IN FLYING, IF MODEL
TENDS TO STALL, ADD
SMALL WEIGHTS TO THE
NOSE.

MBE "50"

" LENGTH 10 "

Arny Afalrod | KIT NO.A2