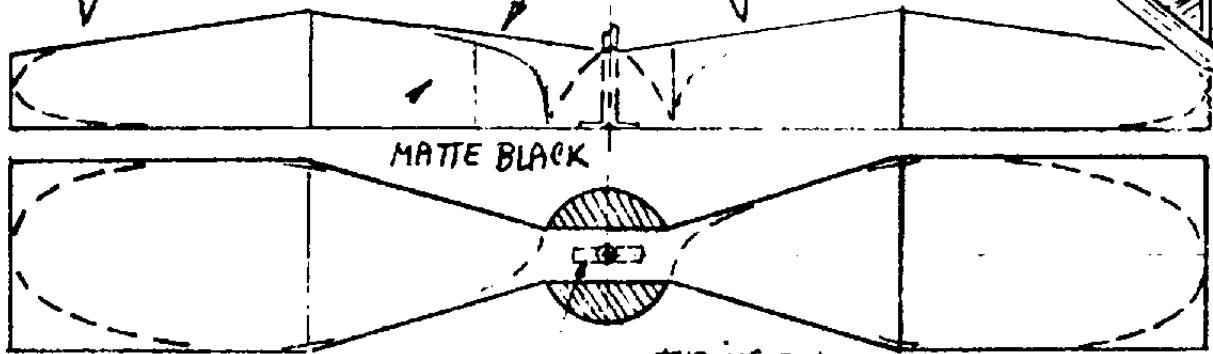
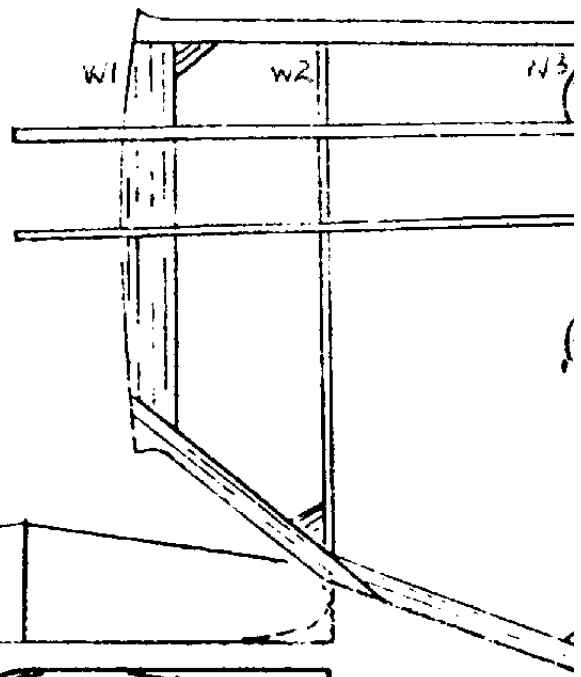


FLYING PROP BLANK



MATTE BLACK

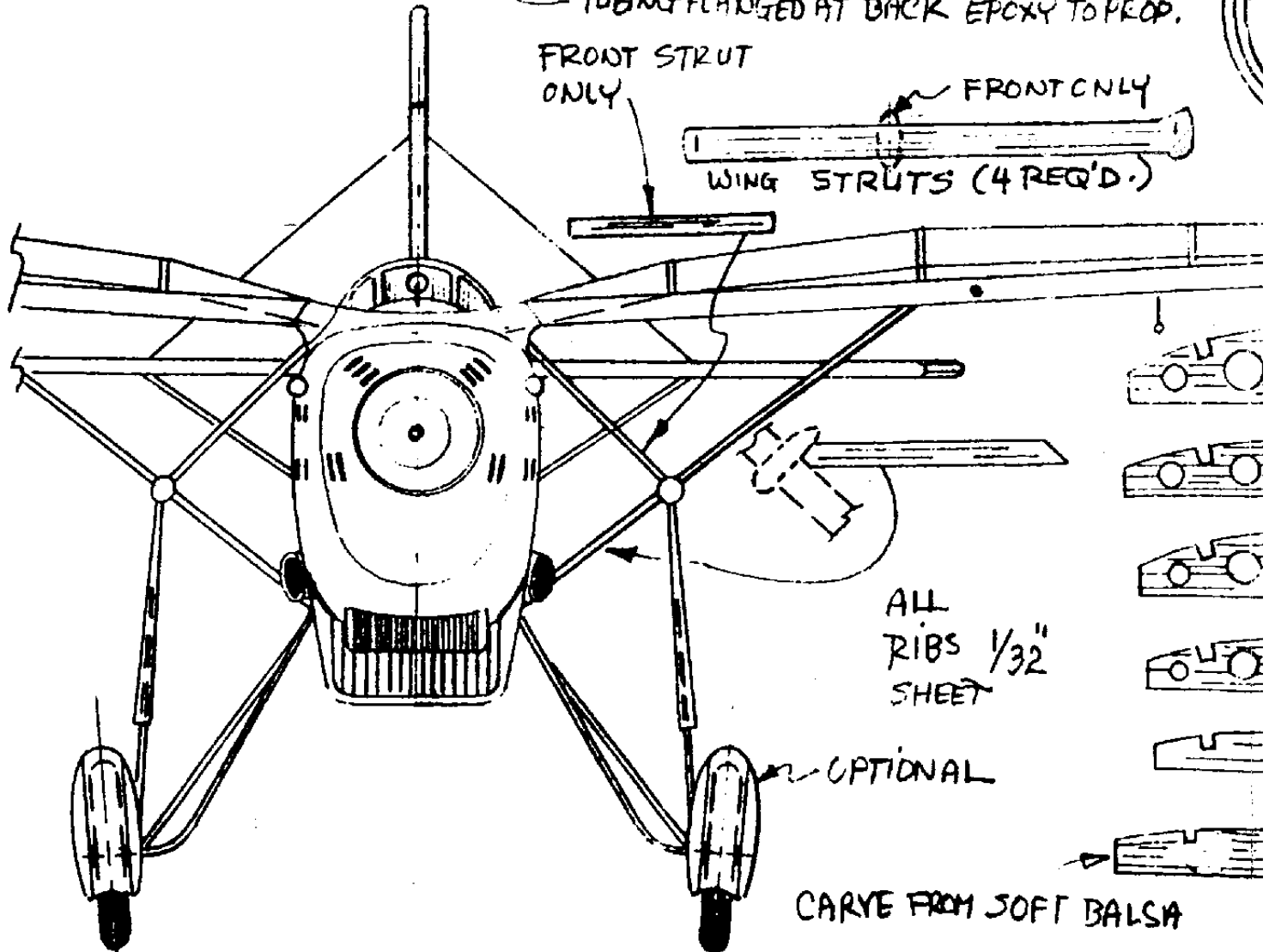
TUBING FLANGED AT BACK EPOXY TO PROP.

FRONT STRUT ONLY

FRONT ONLY



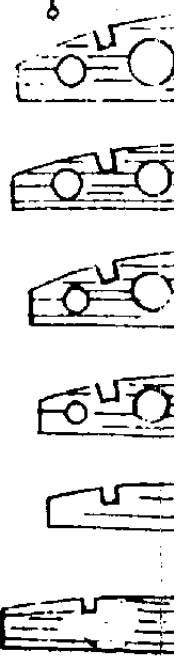
WING STRUTS (4 REQ'D.)

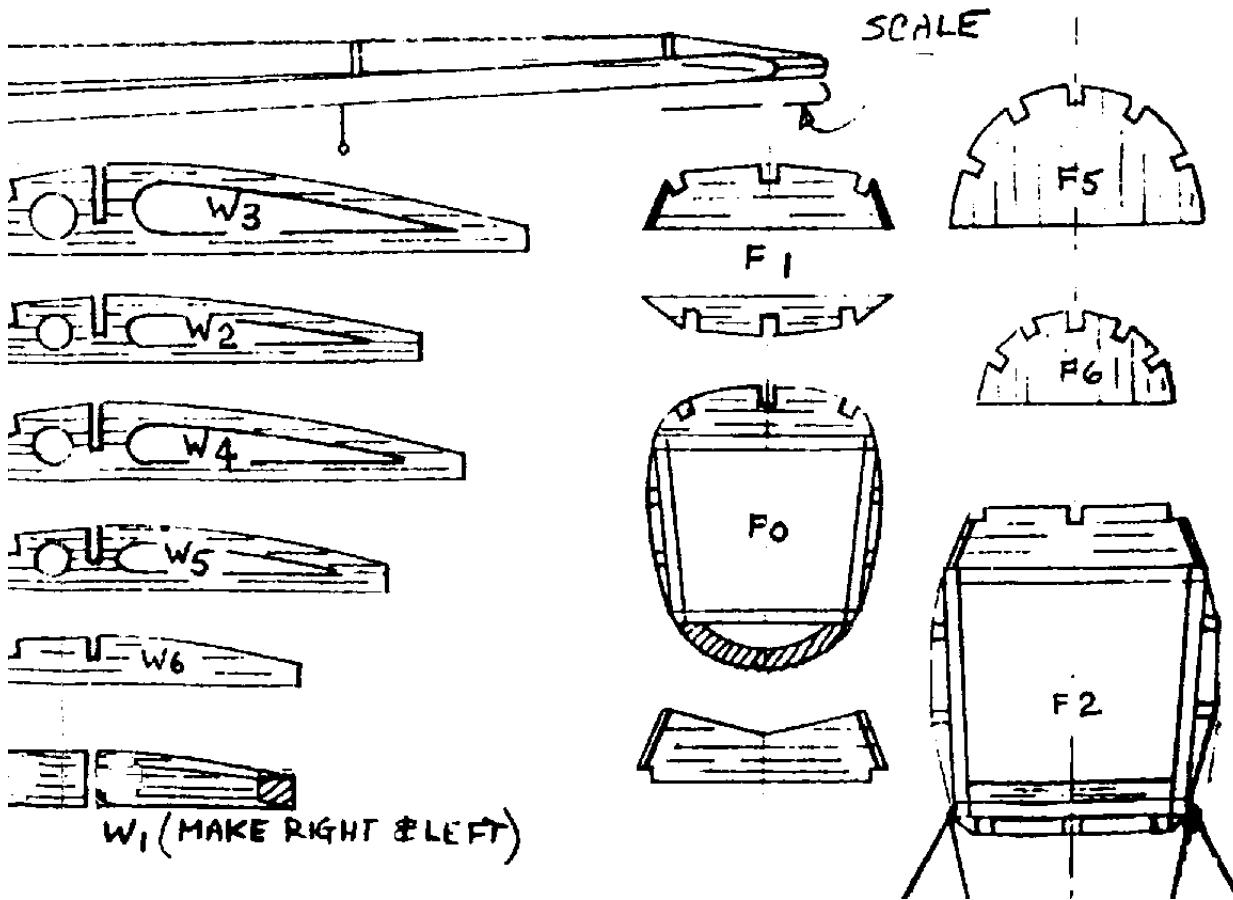
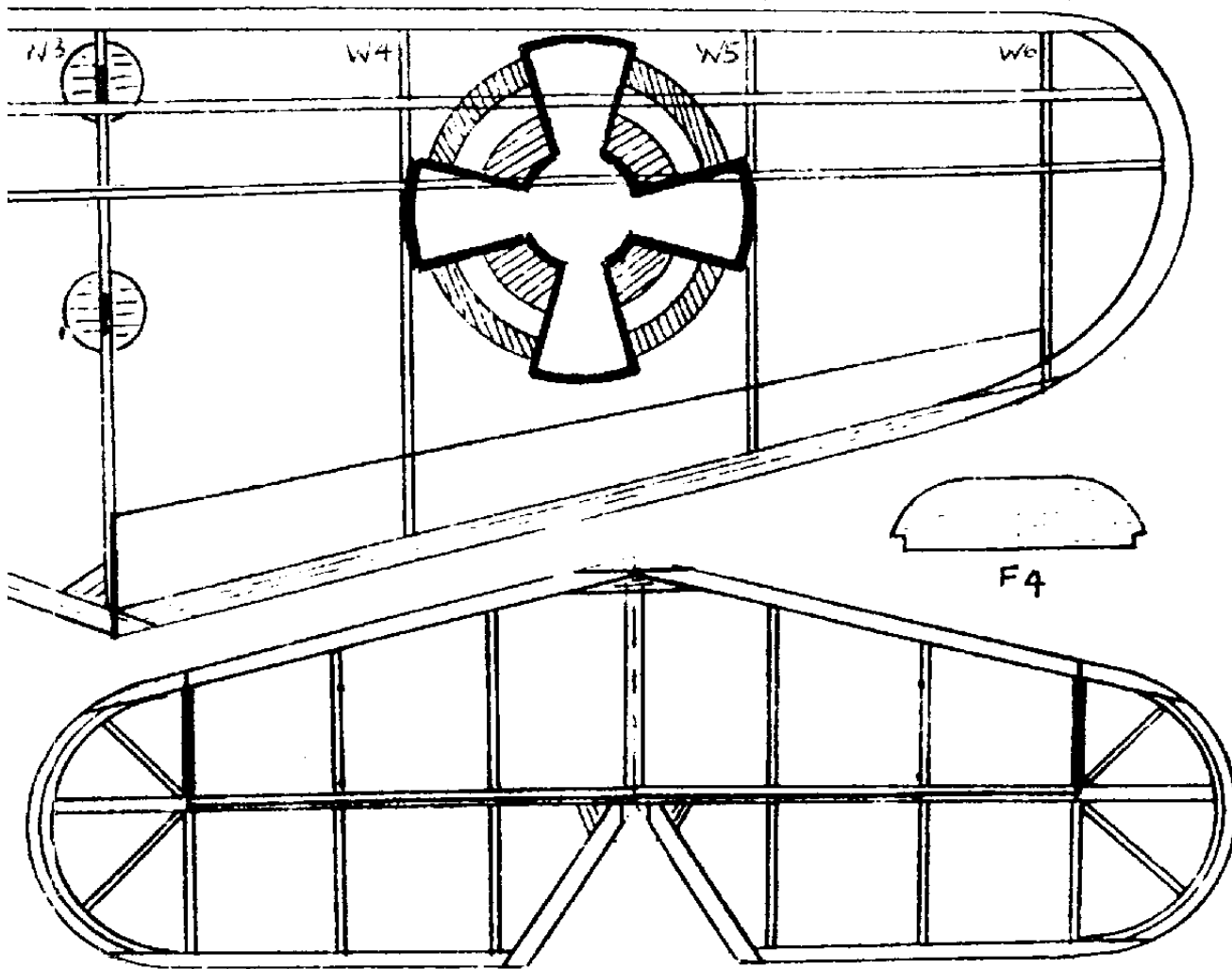


ALL RIBS 1/32" SHEET

OPTIONAL

CARVE FROM SOFT Balsa

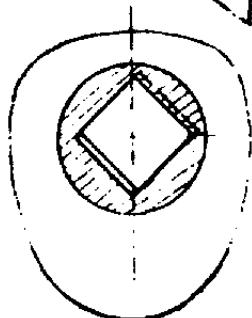
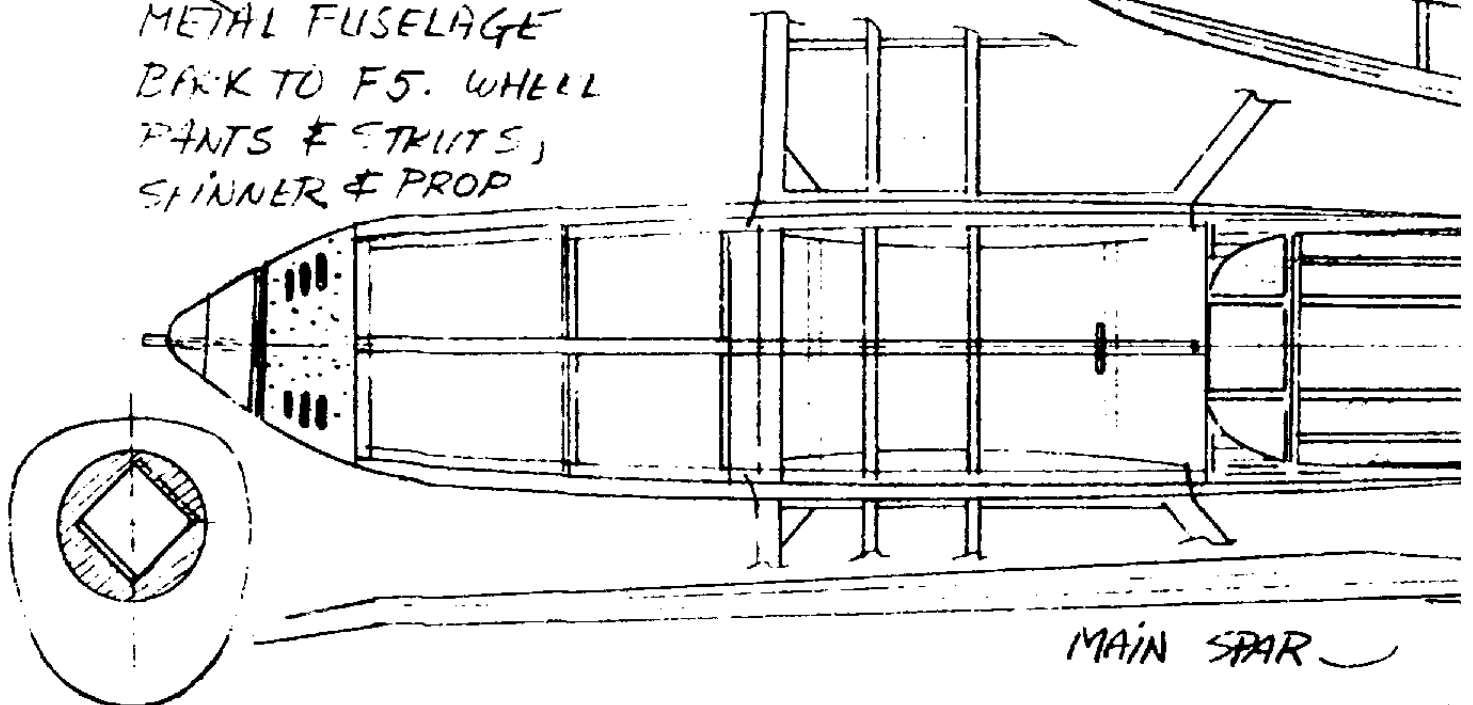
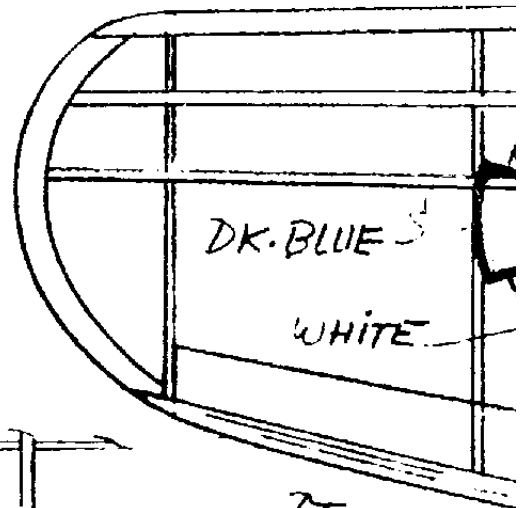




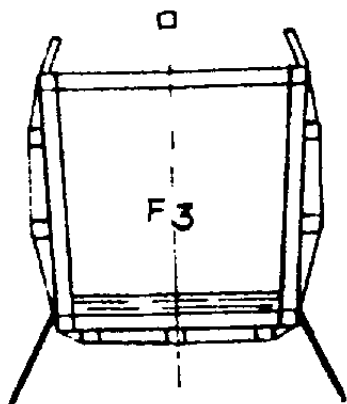
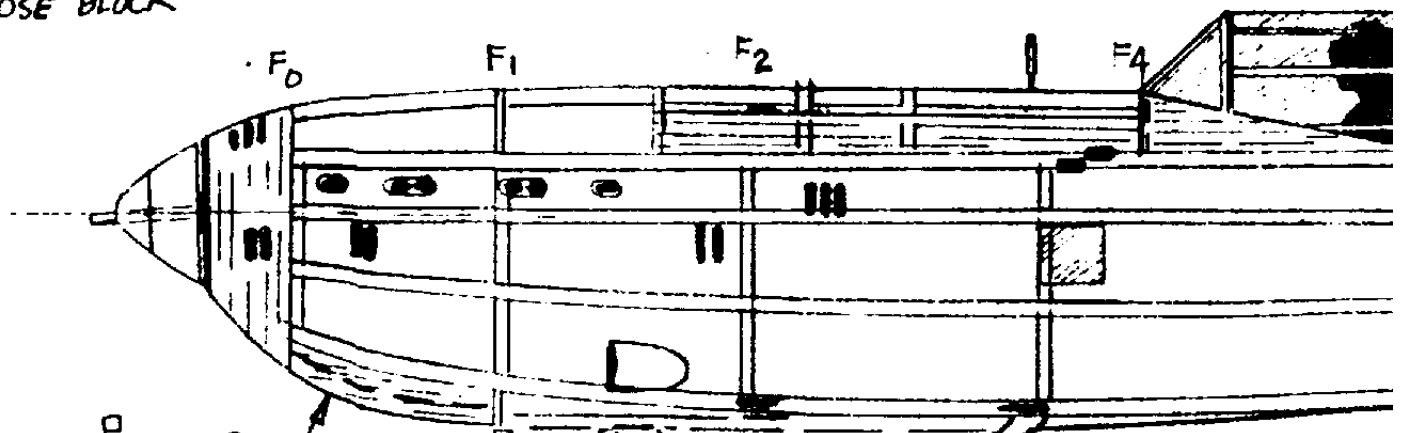
COLOR SCHEME :

OVERALL SILVER  
WING INSIGNIA TOP  
& BOTTOM OF WING

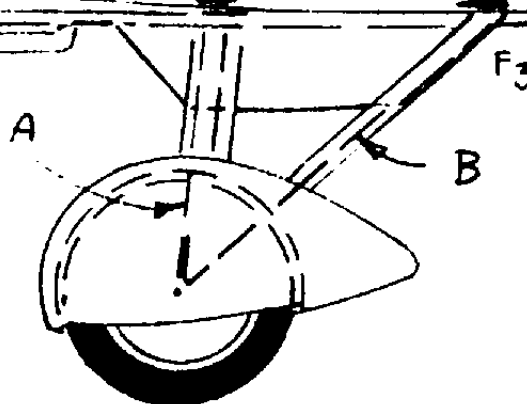
POLISHED NATURAL  
METAL FUSELAGE  
BLACK TO F5. WHEEL  
FANTS & STRUTS,  
SPINNER & PROP



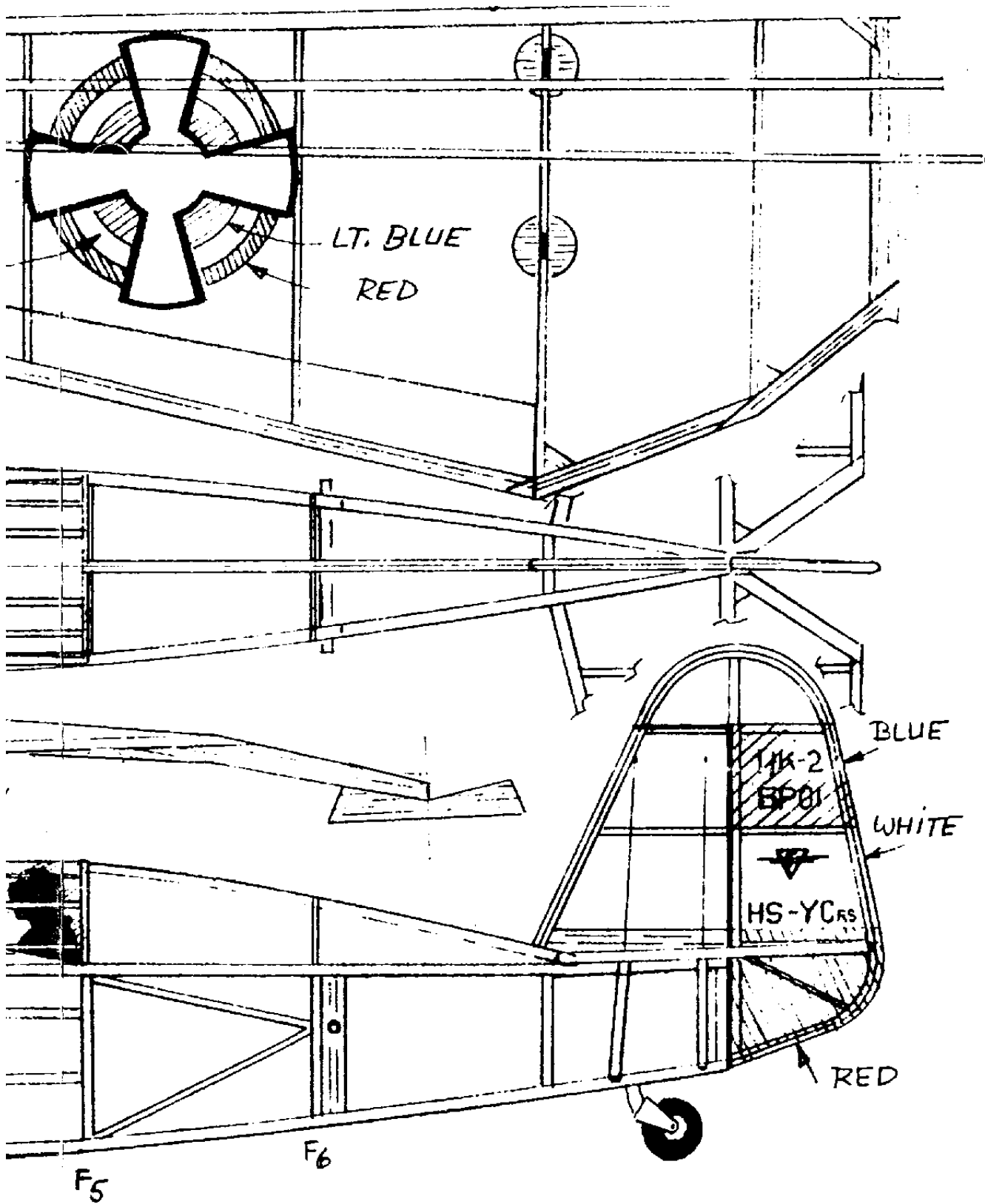
NOSE BLOCK



HOLLOW  
OUT  
SOFT  
BALSA



REFERE  
PROFILE 7



REFERENCE:  
 MODEL PUBLICATION # 242

YUGOSLAV P-NUT IK-2
BY-PRES BRUNING