

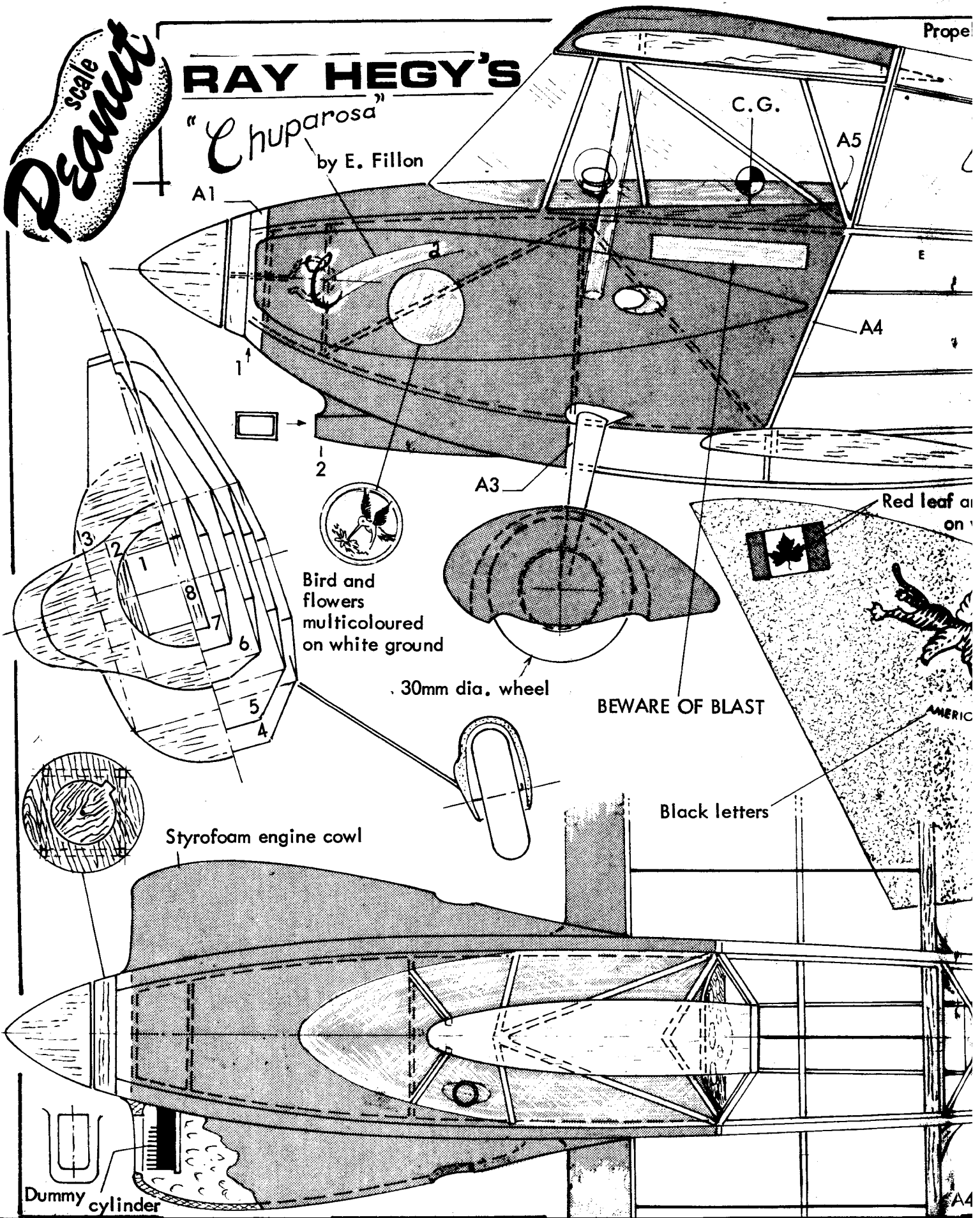
scale
Peanut

RAY HEGY'S

"Chuparosa"

by E. Fillon

Prope



A1

C.G.

A5

A4

A3

3

2

1

8

7

6

5

4



Bird and flowers
multicoloured
on white ground

.30mm dia. wheel

BEWARE OF BLAST

Black letters

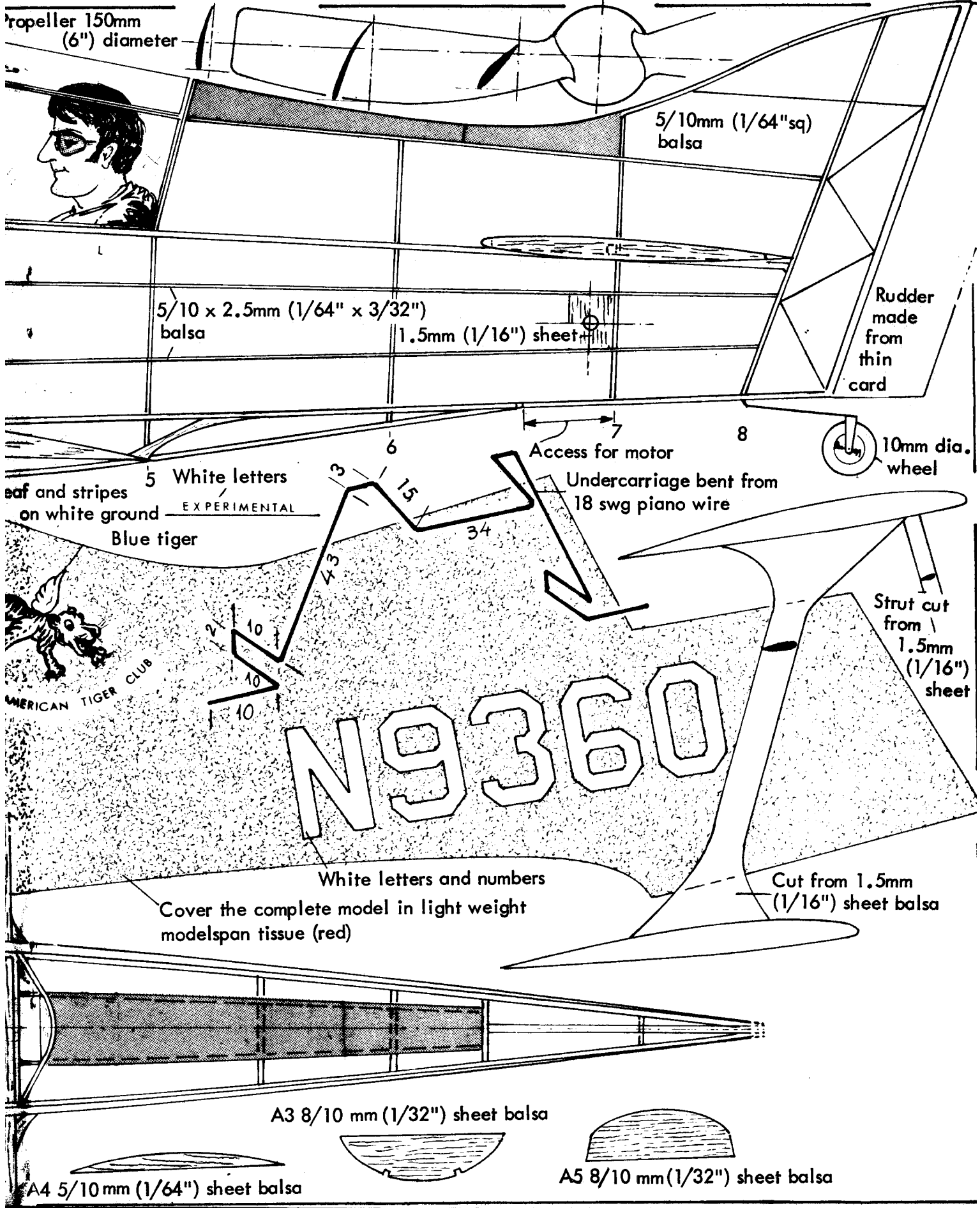
Red leaf on

AMERIC

Styrofoam engine cowl

Dummy cylinder

A4



Propeller 150mm
(6") diameter

5/10mm (1/64"sq)
balsa

5/10 x 2.5mm (1/64" x 3/32")
balsa

1.5mm (1/16") sheet

Rudder
made
from
thin
card

10mm dia.
wheel

Access for motor

Undercarriage bent from
18 swg piano wire

Leaf and stripes
on white ground
Blue tiger
5 White letters
EXPERIMENTAL



N9360

Strut cut
from
1.5mm
(1/16")
sheet

White letters and numbers

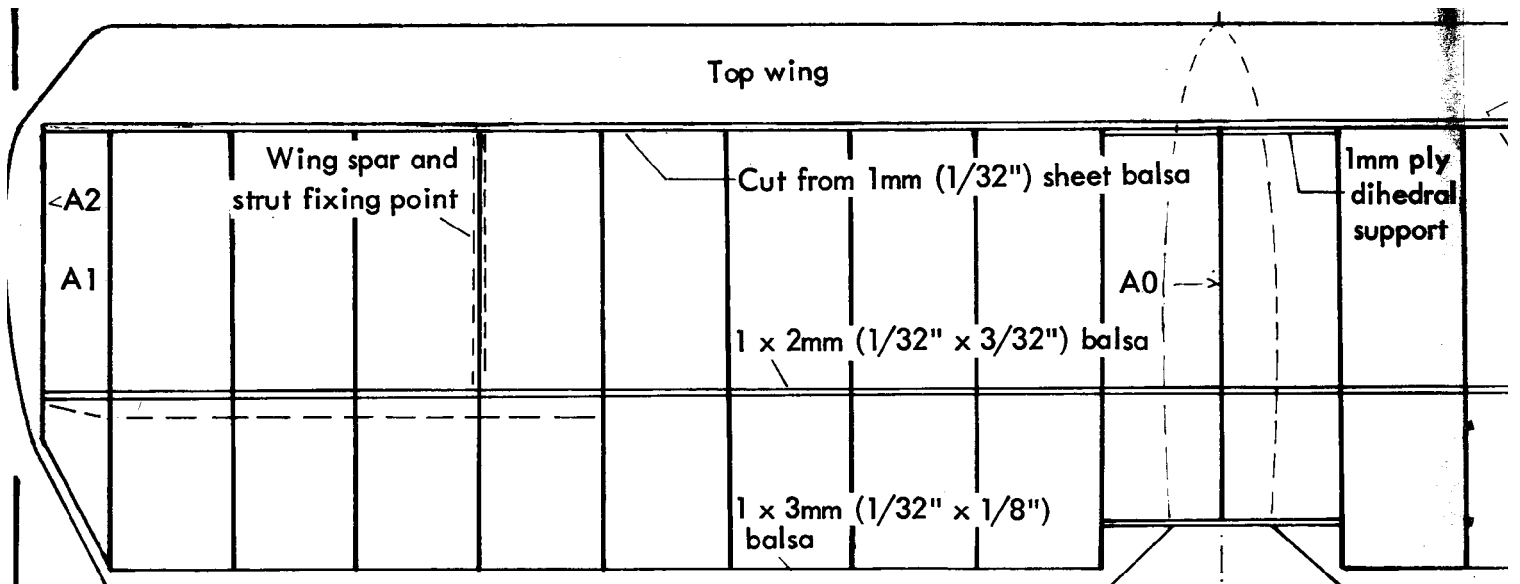
Cover the complete model in light weight
modelspan tissue (red)

Cut from 1.5mm
(1/16") sheet balsa

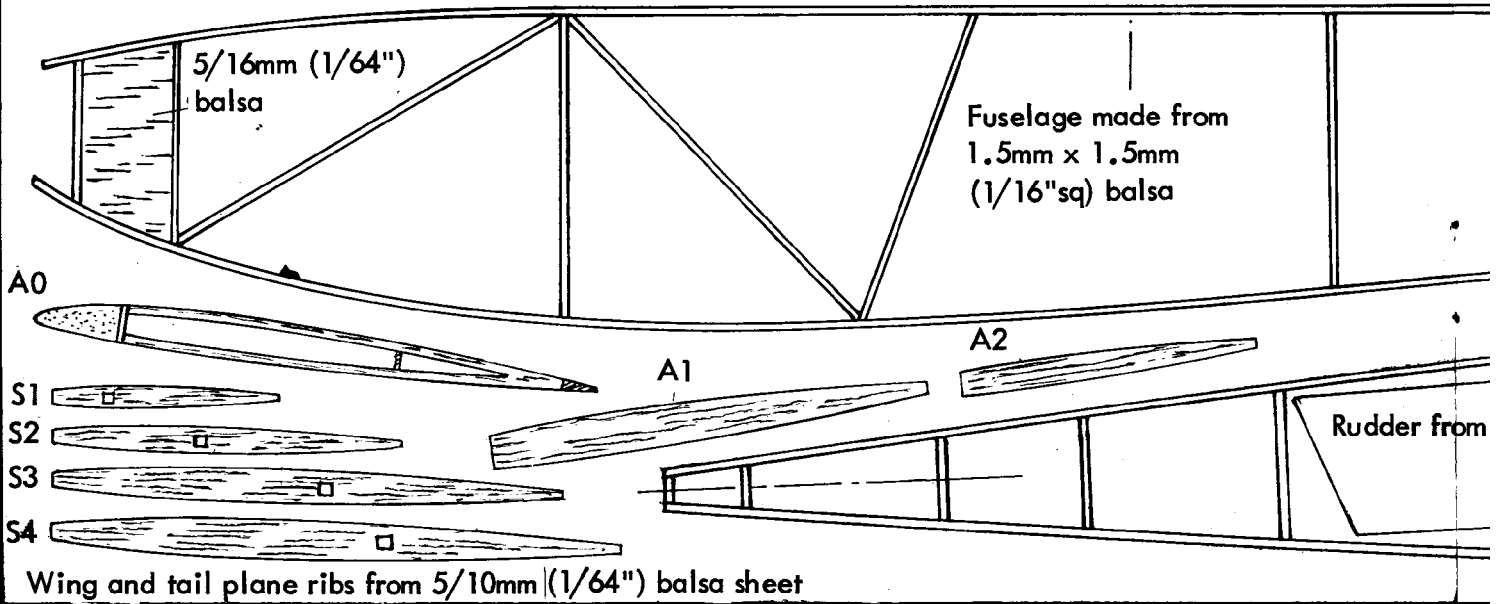
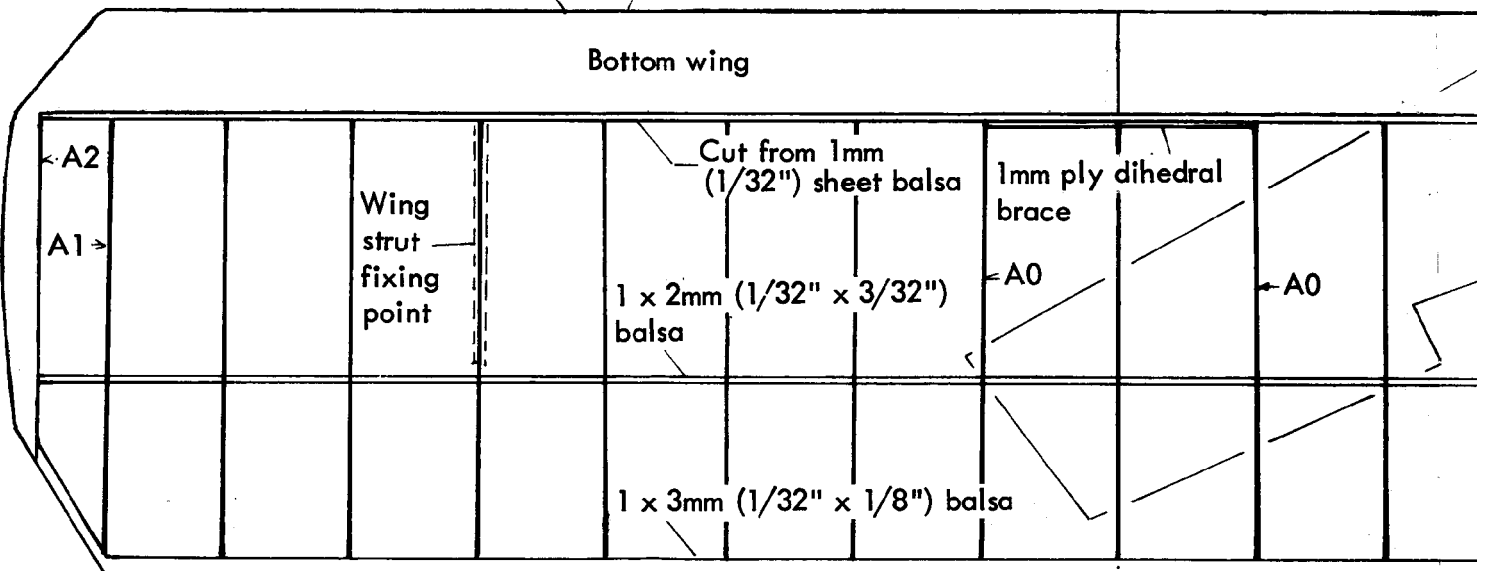
A3 8/10 mm (1/32") sheet balsa

A4 5/10 mm (1/64") sheet balsa

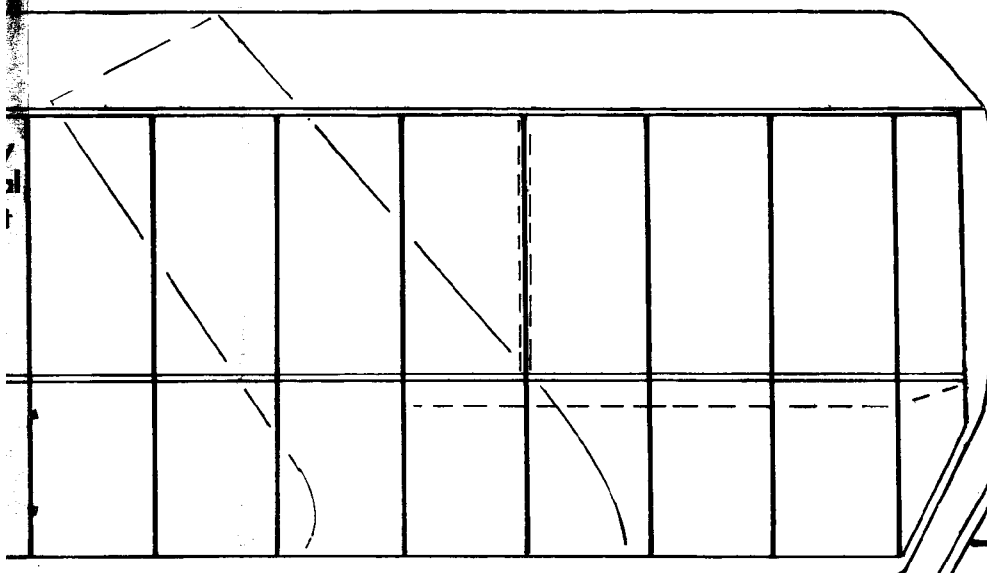
A5 8/10 mm (1/32") sheet balsa



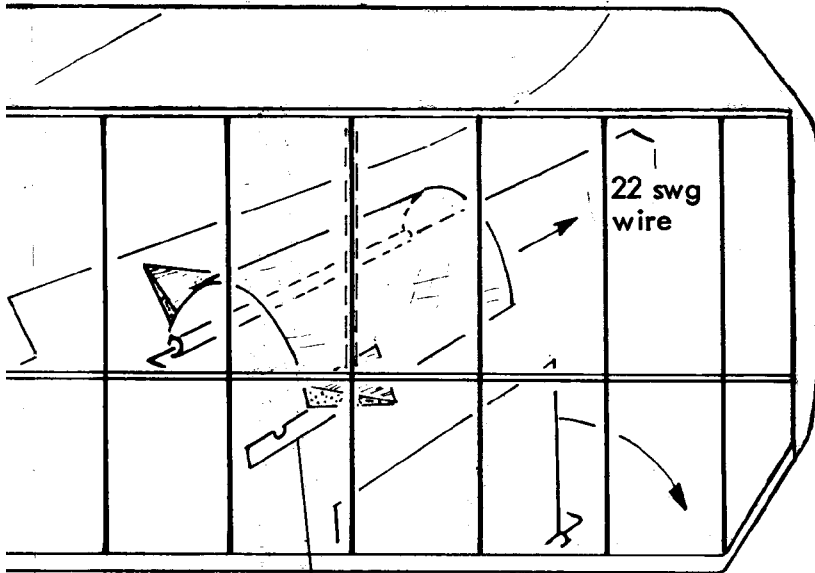
Styrofoam leading edge



Peanut scale



Development of canopy

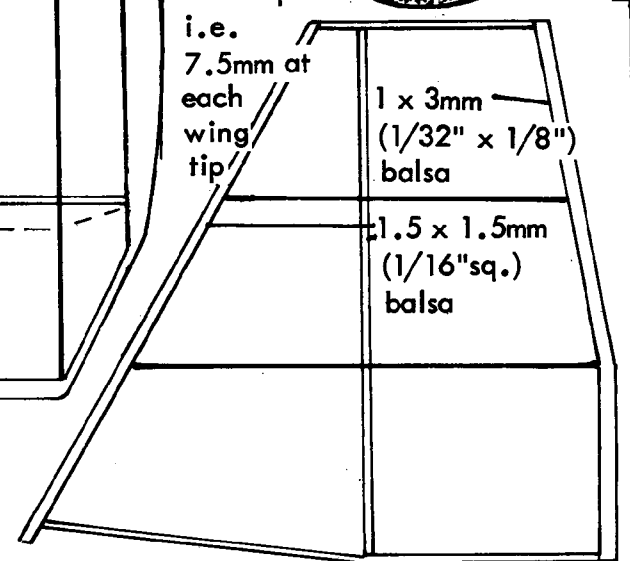


22 swg wire

Thin acetate

Paper tube

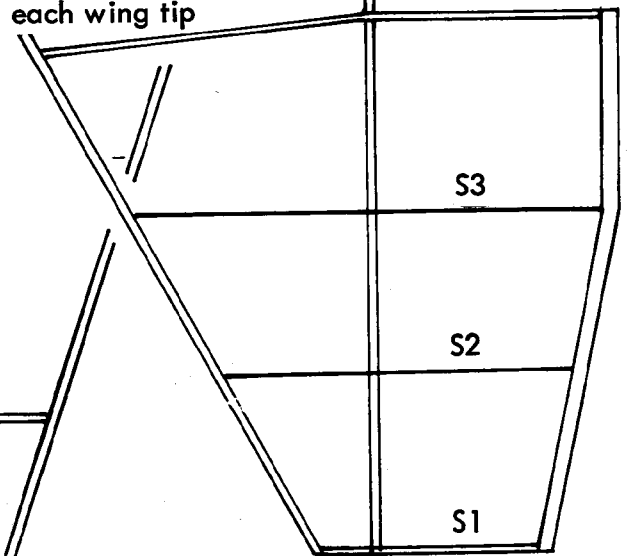
15mm (5/8")
dihedral
at this point
i.e.
7.5mm at
each
wing
tip



1 x 3mm
(1/32" x 1/8")
balsa

1.5 x 1.5mm
(1/16"sq.)
balsa

12mm (1/2") dihedral
at this point i.e. 6mm at
each wing tip



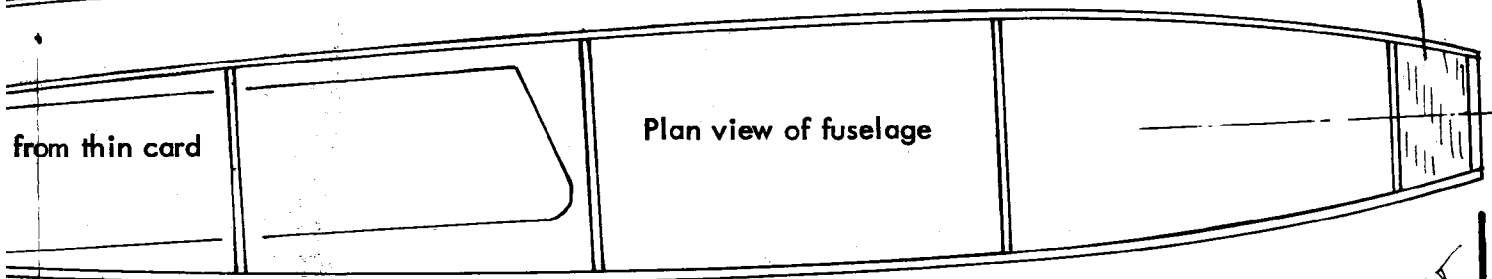
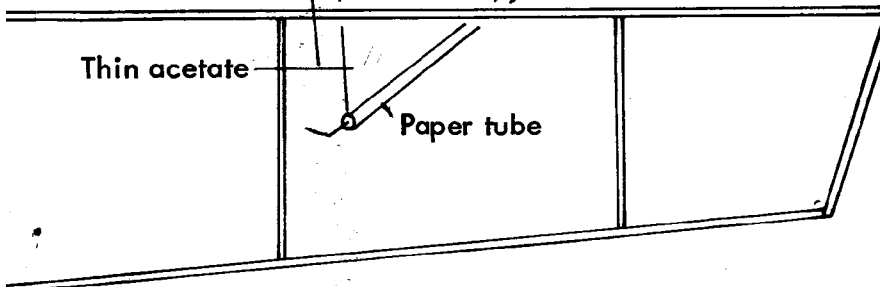
S4

S3

S2

S1

5/10mm (1/64") balsa



from thin card

Plan view of fuselage

ST
77