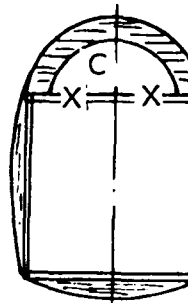
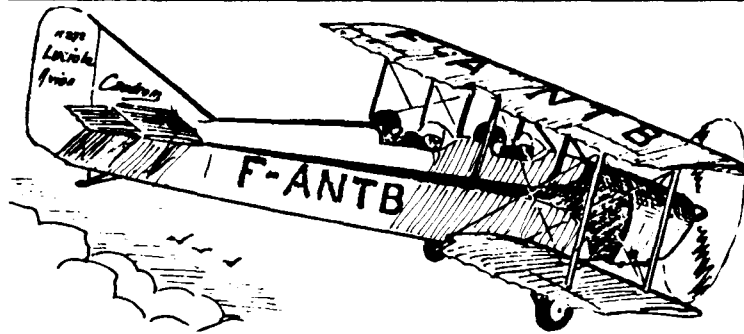
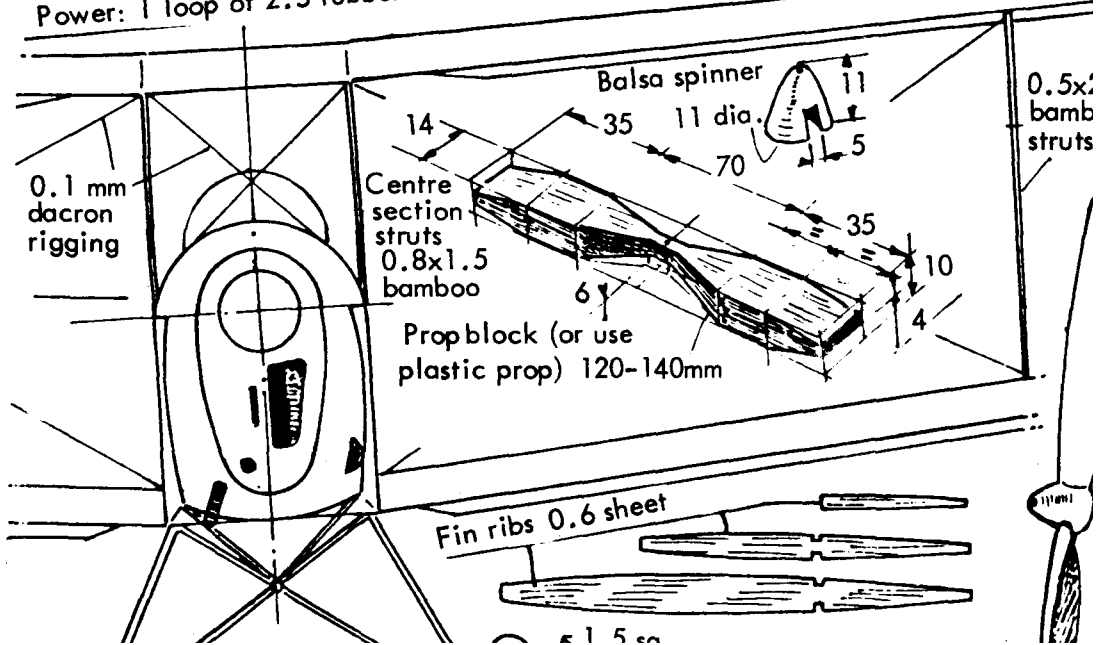


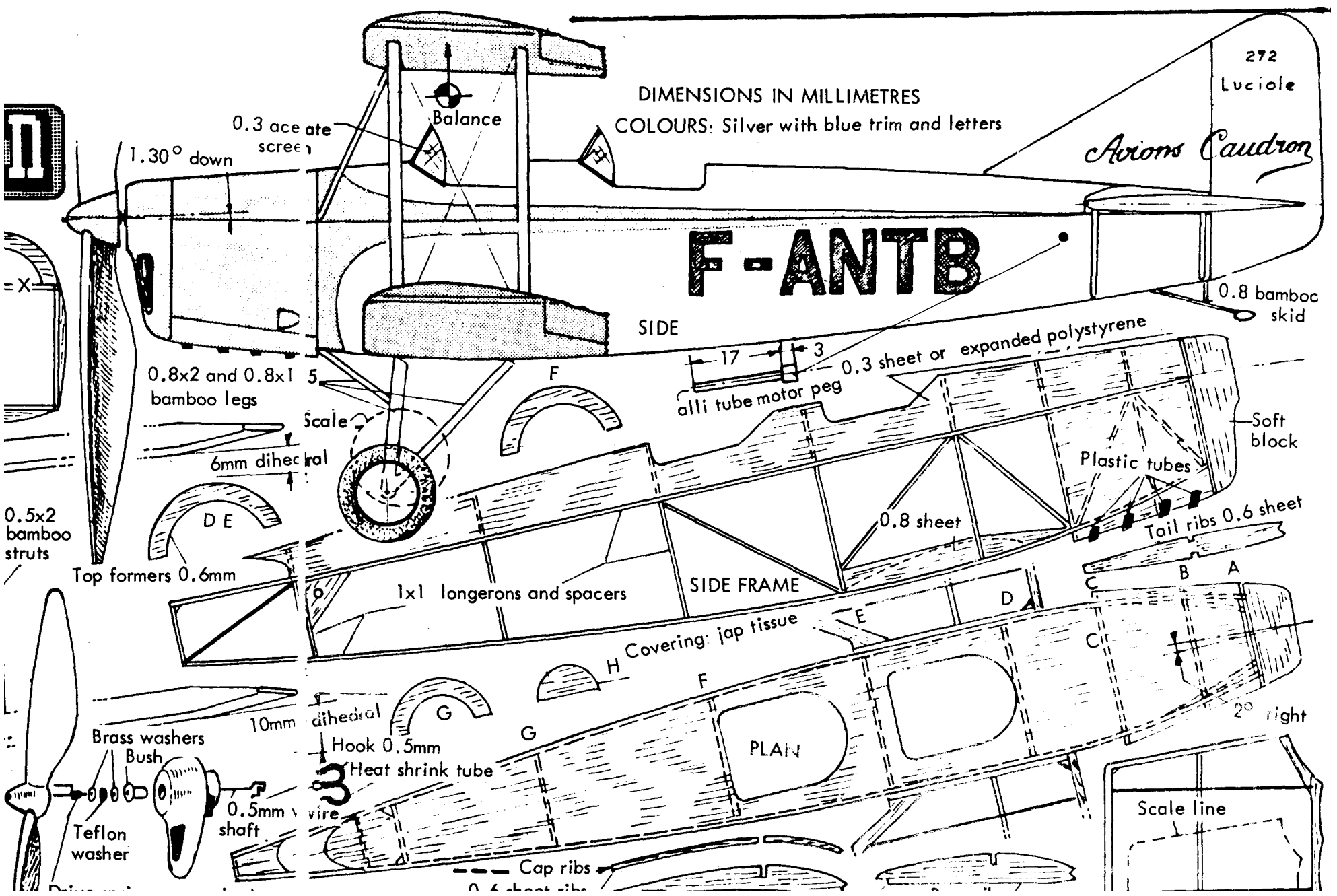
CAUDRON "Luciole"

EMMANUEL FILLON



Power: 1 loop of 2.5 rubber 320mm long (3.8g)





272

Luciole

DIMENSIONS IN MILLIMETRES

COLOURS: Silver with blue trim and letters

Avions Caudron

F-ANTB

SIDE

0.8 bamboo skid

0.3 acetate screen

1.30° down

Balance

17 3
all tube motor peg

0.3 sheet or expanded polystyrene

0.8x2 and 0.8x1 5 bamboo legs

Scale

6mm dihedral

Soft block

Plastic tubes

0.8 sheet

Tail ribs 0.6 sheet

0.5x2 bamboo struts

Top formers 0.6mm

1x1 longerons and spacers

SIDE FRAME

Covering: Jap tissue

PLAN

2° right

Brass washers

10mm dihedral

Hook 0.5mm

Heat shrink tube

0.5mm v shaft

Teflon washer

Cap ribs

Scale line

