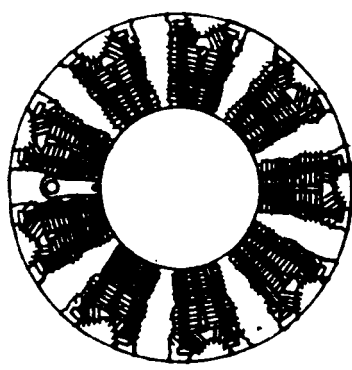
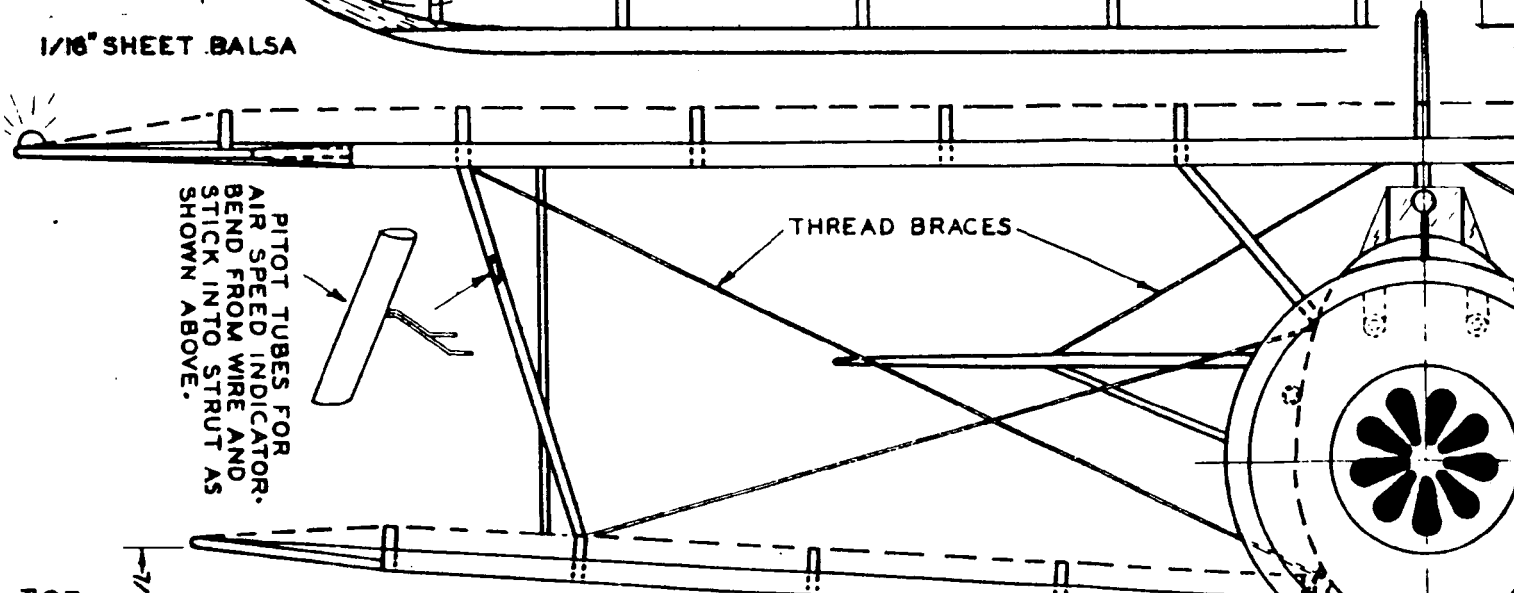
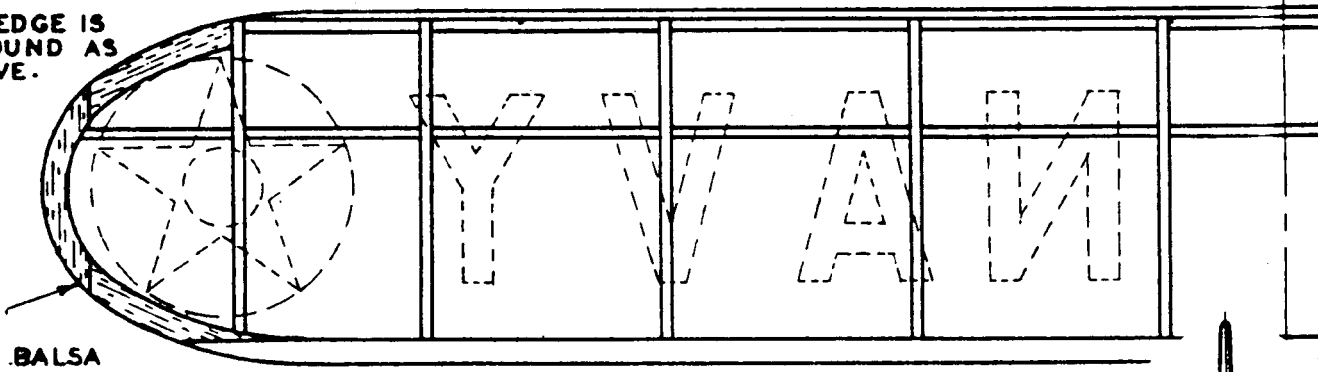


BANANA OIL A STRIP OF BLACK TISSUE  
HERE TO SHOW AILERON

LEADING EDGE IS  
SANDED ROUND AS  
SHOWN ABOVE.



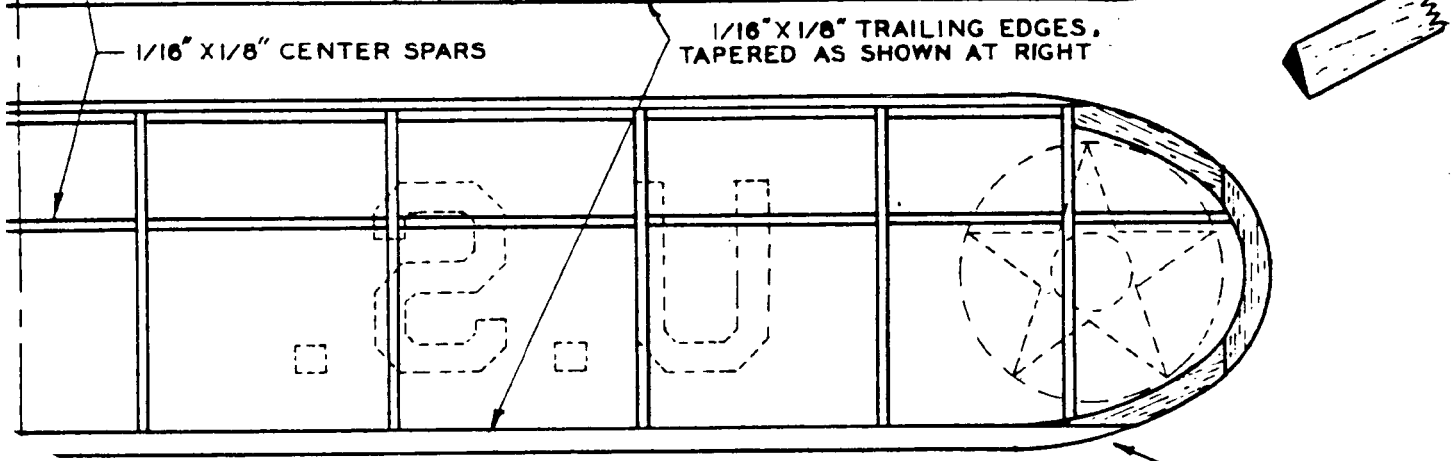
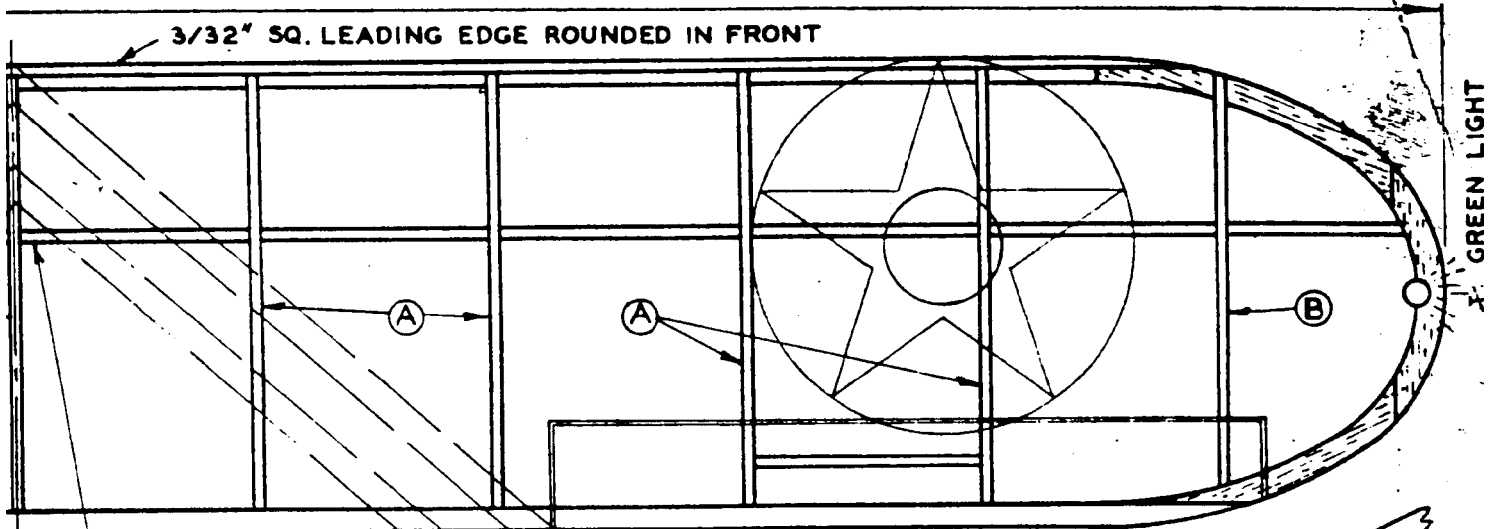
CUT ABOVE MOTOR DESIGN  
FROM PLAN & STICK TO THE  
FRONT OF COWLING.

**COLOR SCHEME**

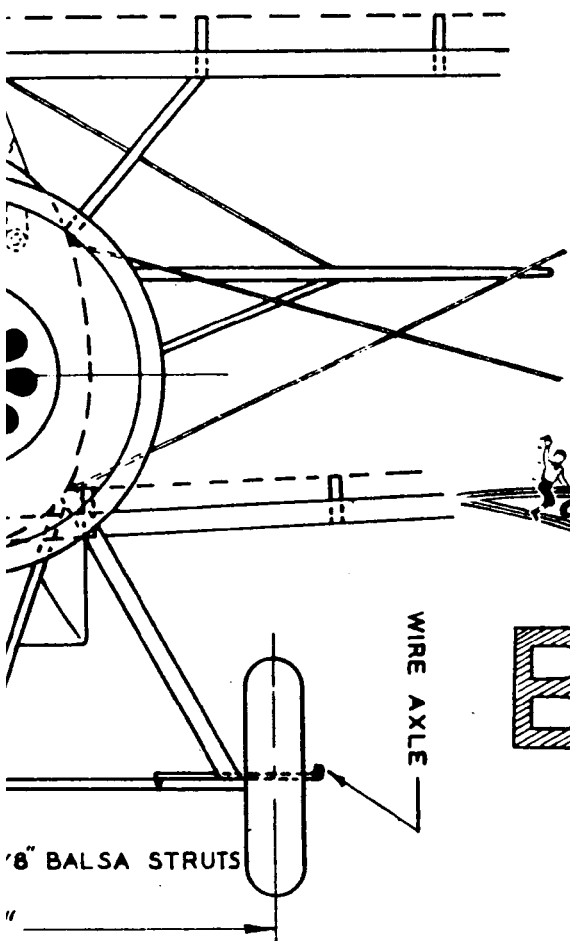
LOWER & UNDER SIDE OF TOP  
WING - WHITE.  
TOP OF UPPER WING - YELLOW.  
RUDDER & UNDERSIDE OF  
ELEVATOR - WHITE.  
TOP OF ELEVATOR - YELLOW  
COWLING & STRUTS - ALUM.  
FUSELAGE - WHITE.

NOTE: IF DESIRED MODEL  
MAY BE DOPED USING COMET  
NU-DOPE. ALL COLORS ARE  
SOLD BY COMET DEALERS.  
IF MODEL IS DOPED SUB-  
STITUTE ALUMINUM FOR  
WHITE.

FUSELAGE MAY BE GRAY  
INSTEAD OF ALUMINUM. A BIT  
OF BLACK IN WHITE DOPE WILL  
PRODUCE GRAY.

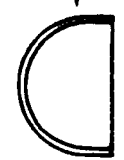


TRIM END RIBS SLIGHTLY



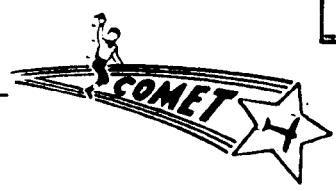
BALSA SEAT

ACTUAL PATTERN



PAPER

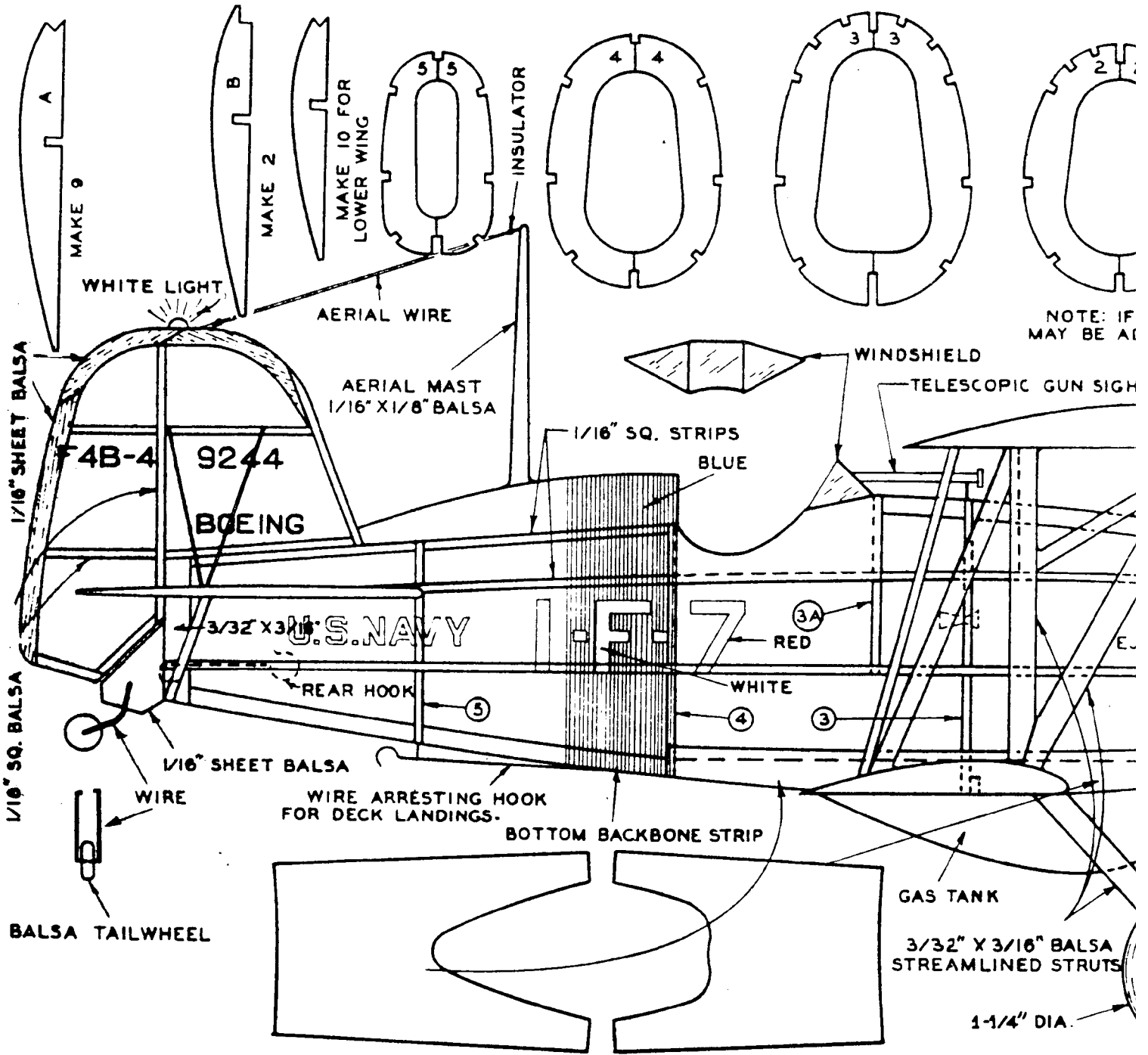
DO NOT INSTALL SEAT IF MODEL IS TO BE FLOWN AS IT INTERFERES WITH RUBBER STRANDS.



U.S. NAVY

**BOEING FIGHTER**

**F4B-4**



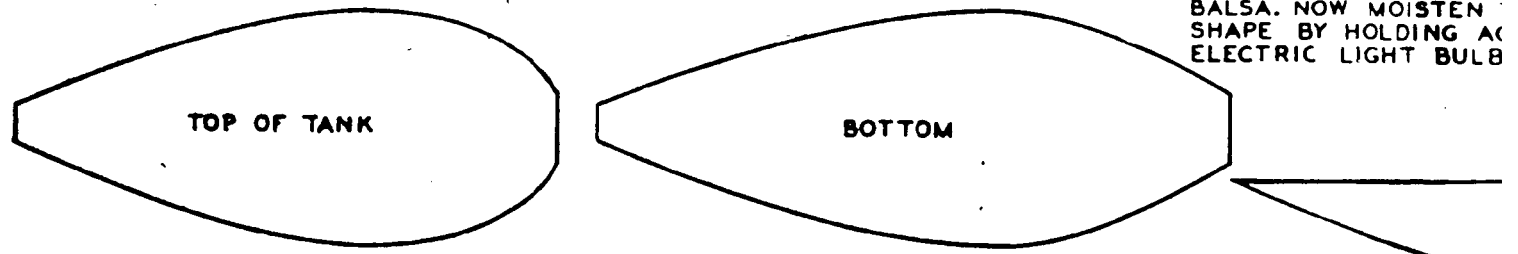
NOTE: IF  
MAY BE AI

CUT ABOVE SHAPES FROM PLAN AND STICK TO BOTTOM OF FUSELAGE AS SHOWN ABOVE. LOWER WING IS ATTACHED TO BOTTOM OF FUSELAGE IN ONE PIECE. CRACK SPARS AT MIDDLE FOR DIHEDRAL ANGLE. COVER WING BEFORE IT IS ATTACHED TO FUSELAGE.

CUT FROM PLAN AND CEMENT TO THE TWO CURVED Balsa SIDE PIECES.

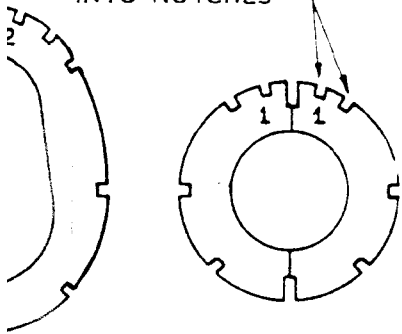
AUXILIARY

TO BE USED O  
BE FLOWN AS IT  
CUT TWO SIDE PIECE  
Balsa. NOW MOISTEN  
SHAPE BY HOLDING AC  
ELECTRIC LIGHT BULB



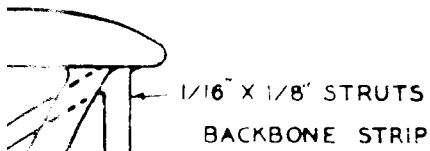
NOTE: BEGIN CONSTRUCTION OF MODEL BY PINNING BACKBONE STRIPS DOWN ON PLAN. THESE ARE CUT FROM THE PRINTED Balsa SHEET. NEXT CUT OUT FORMERS AND CEMENT TO BACKBONE STRIPS. A 1/16" SQ. BY 3-3/8" STRIP IS PLACED AT TOP REAR.

1/16" SQ. STRINGERS GO INTO NOTCHES

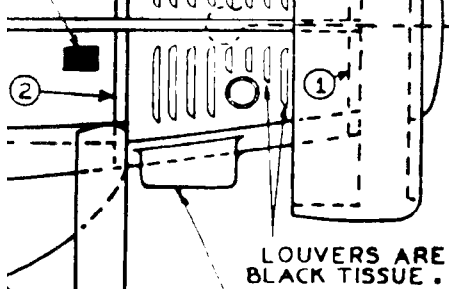


DESIRED MORE STRINGERS ADDED TO FUSELAGE.

T-Round Balsa

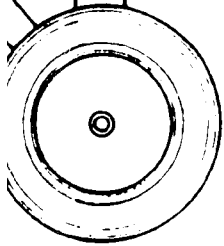


SHELL VECTOR



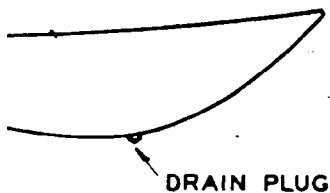
LOUVERS ARE BLACK TISSUE.

SHAPE FROM A 3/8" X 3/8" X 1/2" BLOCK. ROUND OFF ALL EDGES.



GAS TANK

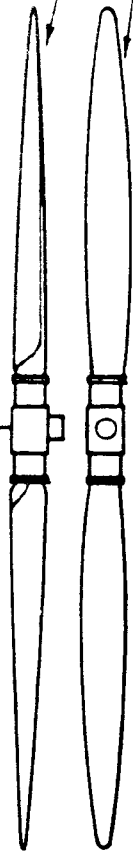
ONLY IF MODEL WILL NOT ADDS UNNECESSARY WEIGHT. CUT FROM 1/16" SHEET Balsa AND BEND TO FIT AGAINST A LIGHTED



DRAIN PLUG

EXHIBITION PROP.

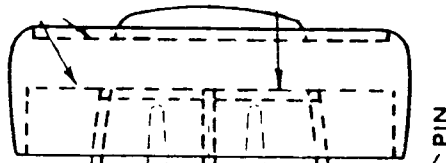
1/16" SHEET Balsa BLADES



FOR FLYING USE THE 5 Balsa MACHINE CUT PROPELLER.



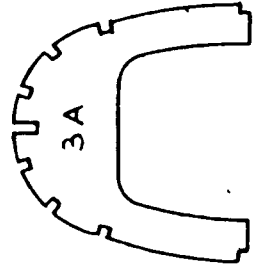
CUT INSTRUMENT BOARD FROM PLAN & STICK TO FORMER 3A.



PIN

VENTURI TUBE ON THIS SIDE ONLY

MACHINE GUNS MADE OF 3/32" ROUND Balsa



SHAPE HEADREST FROM A 3/8" X 1/2" X 2-1/4" BLOCK

1/16" SQ. Balsa

CUT COCKPIT COWL FROM PLAN & CEMENT TO FORMERS 3A & 4

