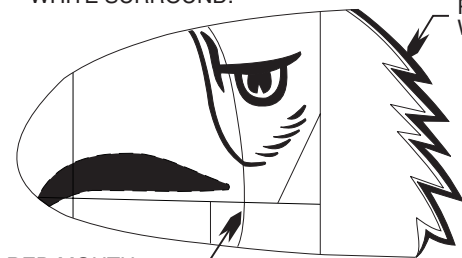


MAKE TWO ENGINE NACELLES. COVER THE SIDE OF THE NACELLE THAT WILL BE ON THE OUTSIDE. THE MOTOR STICK IS MOUNTED ON THE UNCOVERED SIDE (INSIDE SURFACE).

EYE OUTLINE AND HIGHLIGHTS ARE BLACK. EYE IS RED WITH WHITE SURROUND.

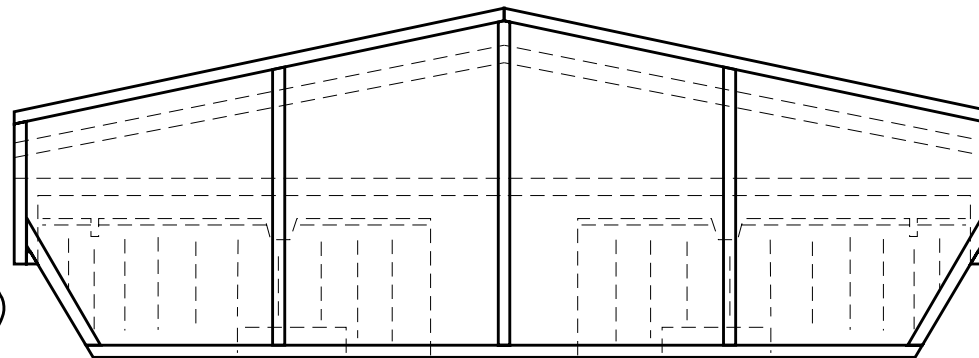


YELLOW FORWARD OF THIS LINE. LIGHT GREEN BEHIND THE LINE.

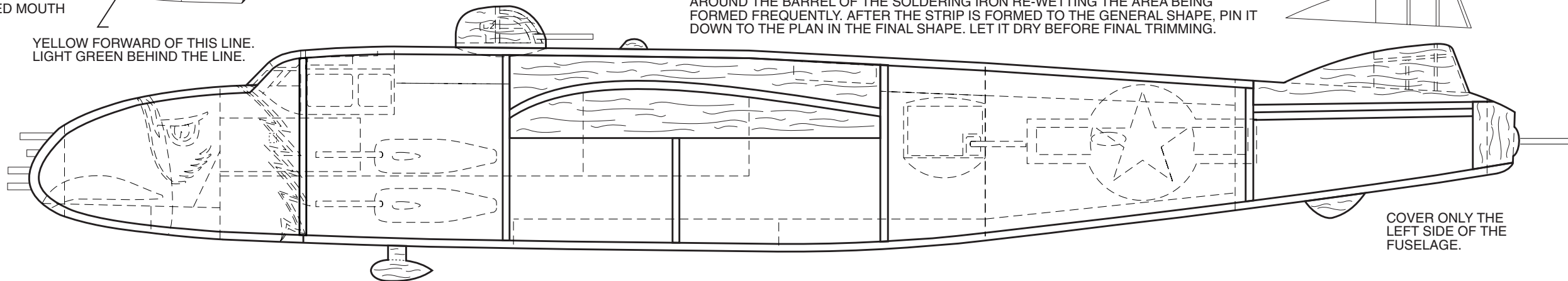
COLORING

THE MARKINGS SHOWN ARE OF THE 489th BOMBER SQUADRON, 345th BOMBER GROUP. OVERALL COLOR IS OLIVE DRAB. BOTTOM OF THE FUSELAGE AND ENGINE NACELLES ARE NEUTRAL GREY. THE NATIONAL INSIGNIA IS WHITE ON A DARK BLUE SURROUND. TAIL NUMBER IS YELLOW. THE INDIAN HEAD ON THE FIN HAS A WHITE BACKGROUND, RED FACE, BLACK NECK, AND RED HIGHLIGHTS IN THE HEAD FEATHERS. THE NOSE DESIGN IS YELLOW FORWARD OF THE HAWK EYE, AND LIGHT GREEN BEHIND THE EYE. THE MOUTH IS RED. THE JAGGED EDGE AT THE REAR OF THE DESIGN IS WHITE FOLLOWED BY RED. THE FORWARD EDGE OF THE ENGINE NACELLES IS YELLOW. MARKINGS SOURCE - SQUADRON/SIGNAL PUBLICATIONS AIRCRAFT NO. 34.

NOTE: ALL CURVED OUTLINES ARE SHAPED BY WET FORMING THE STRIP WOOD. ONE APPROACH FOR WET FORMING THE STRIP WOOD IS TO WET THE TARGET AREA AND THEN APPLY A LOW WATTAGE SOLDERING IRON TO THE WOOD. WORK THE WOOD AROUND THE BARREL OF THE SOLDERING IRON RE-WETTING THE AREA BEING FORMED FREQUENTLY. AFTER THE STRIP IS FORMED TO THE GENERAL SHAPE, PIN IT DOWN TO THE PLAN IN THE FINAL SHAPE. LET IT DRY BEFORE FINAL TRIMMING.



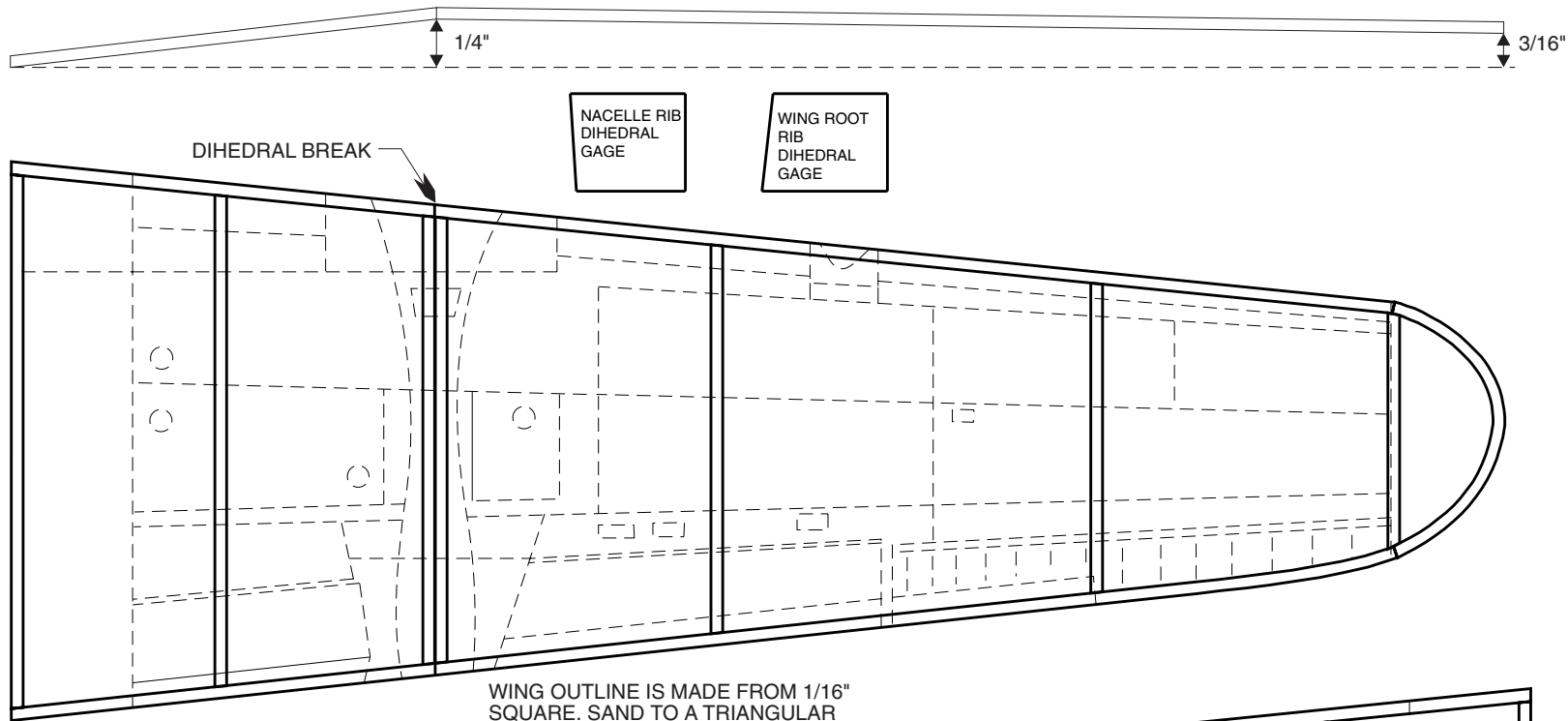
MAKE TWO FIN/RUDDER ASSEMBLIES. COVER ONLY THE SIDE OF THE FIN THAT FACES THE OUTSIDE.



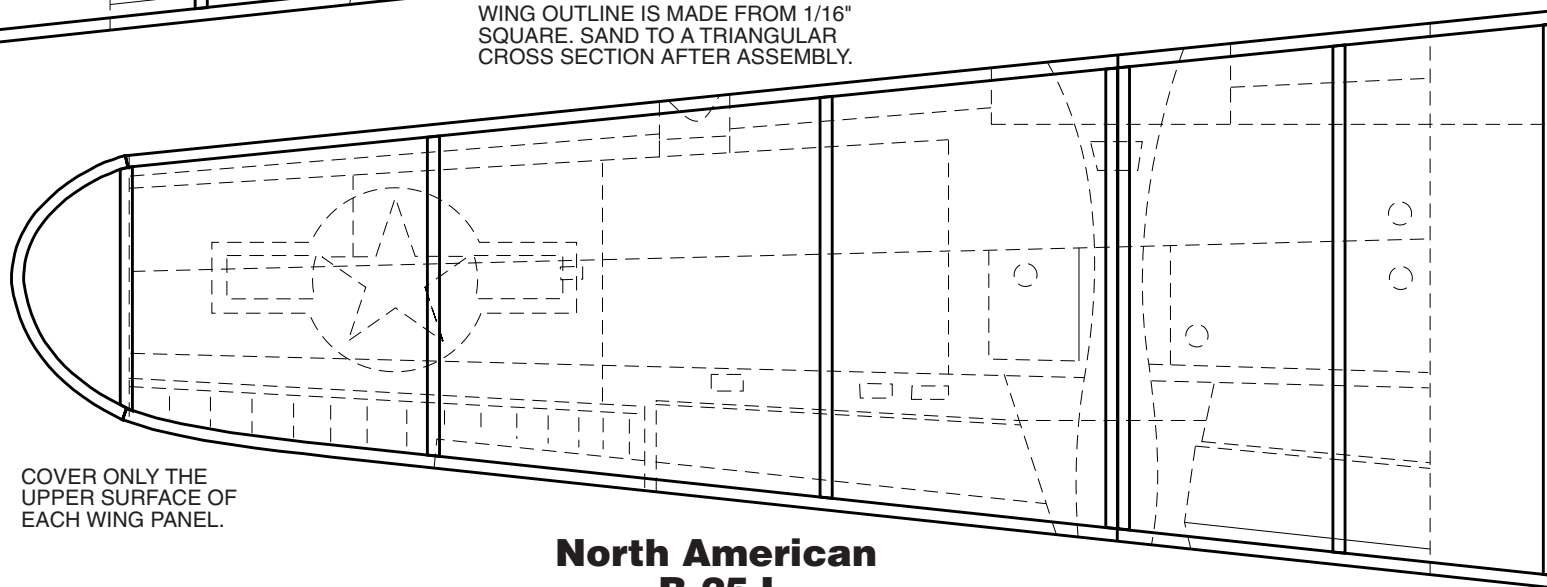
**North American
B-25J
FAC NO-CAL SCALE**

Designed and Drawn by
Paul Bradley
2/99





WING OUTLINE IS MADE FROM 1/16"
SQUARE. SAND TO A TRIANGULAR
CROSS SECTION AFTER ASSEMBLY.



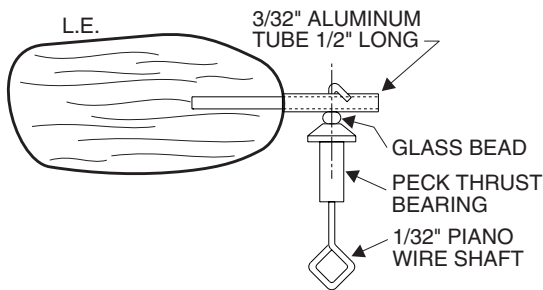
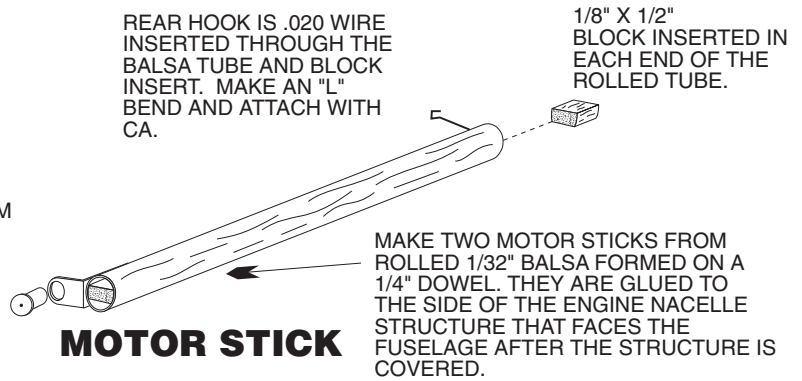
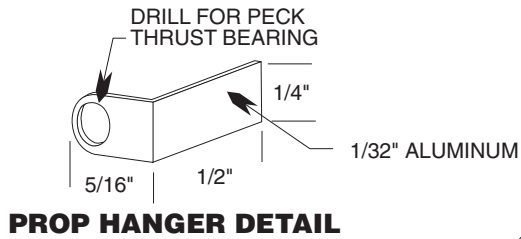
COVER ONLY THE
UPPER SURFACE OF
EACH WING PANEL.

**North American
B-25J**

FAC NO-CAL SCALE

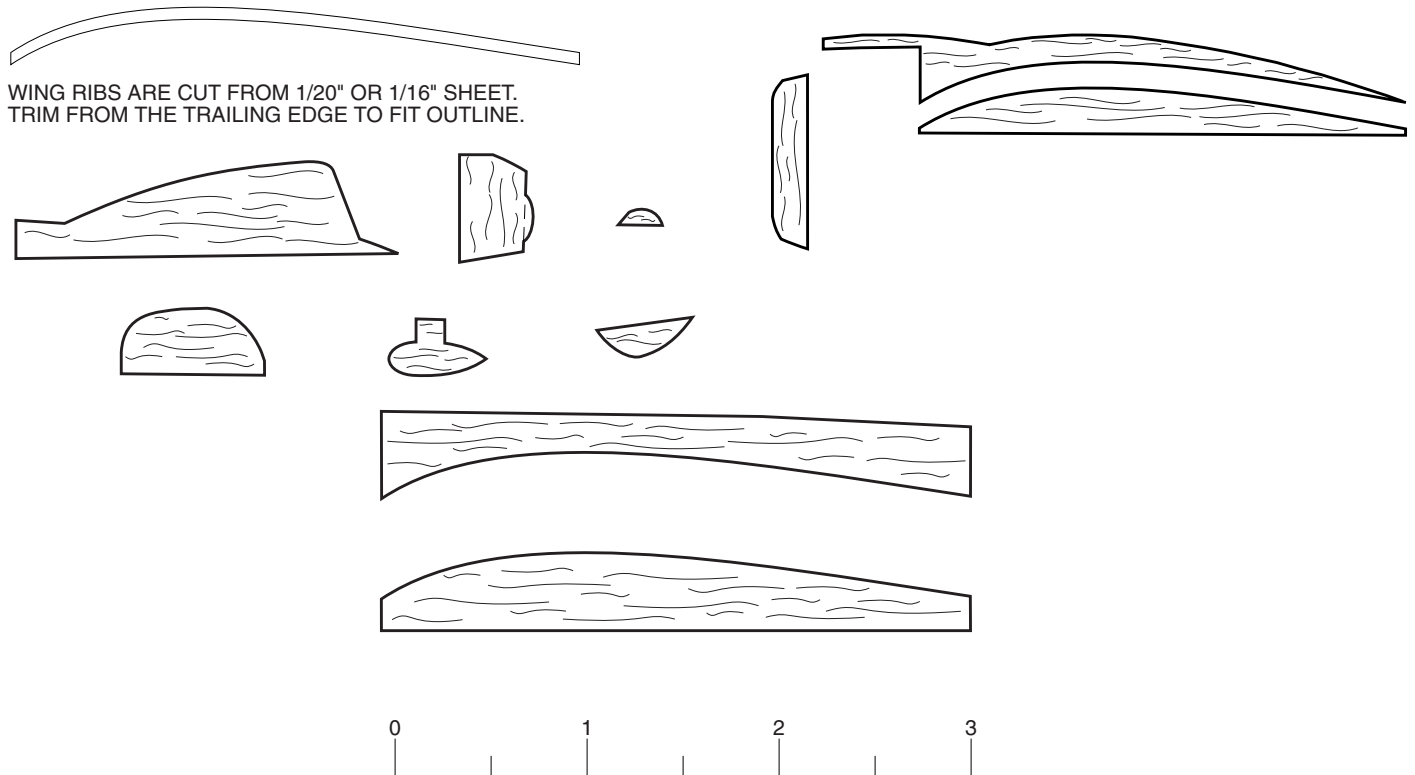
Designed and Drawn by
Paul Bradley
2/99





PROP BLADES ARE 1/32" SHEET FORMED ON A 3" CYLINDER. SET EACH BLADE WITH THE LEADING EDGE 15 DEGREES LEFT FROM VERTICAL ON THE CYLINDER. MAKE 4 IDENTICAL BLADES FOR 2 PROP ASSEMBLIES. PROP SPARS ARE MADE FROM BAMBOO ROUNDED TO 1/16" DIAMETER. A GOOD SOURCE FOR BAMBOO IS SHISH KABOB SKEWERS. GLUE THE SPARS INTO THE ALUMINUM TUBE. USE REGULAR MODEL AIRPLANE CEMENT FOR THIS SO PITCH ADJUSTMENTS CAN BE MADE BY SOFTENING THE GLUE WITH ACETONE.

SET THE PROP PITCH TO ALLOW FOR COUNTER ROTATING PROPS. THE PROP TIPS SHOULD ROTATE OUT FROM THE FUSELAGE TOP.



**North American
B-25J
FAC NO-CAL SCALE**

Designed and Drawn by
Paul Bradley
2/99